

**HAMILTON 2 (HAM-20011-LC)**



**Product description**

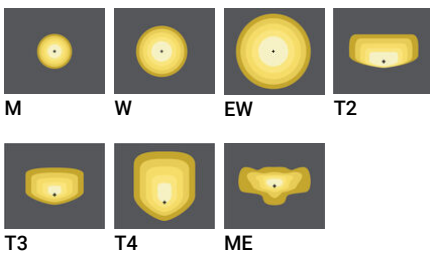
2 sides - LIGHTCONNECT™



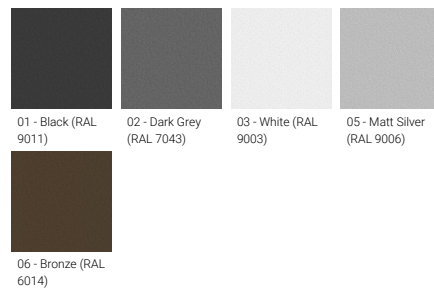
**Luminaire Structure**

- Die-cast aluminium housing
- Pre-treated before powder coating ensuring high corrosion resistance
- Single cable entry
- One IP68 connector supplied with 0.5 m of 3x1.0 sqmm outdoor cable
- Stainless steel fasteners in grade 304 with zinc flake coating (ZFC)
- Durable silicone rubber gasket
- Clear toughened glass
- High-efficiency polycarbonate lens
- Integral control gear
- Surge protection 10kV

**Optic**



**Product colour**



**Special finishes upon request**

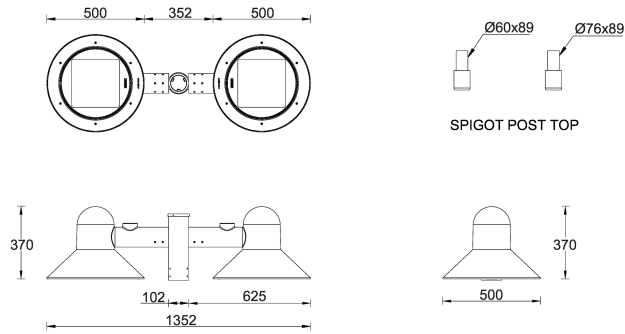


**HAMILTON 2 (HAM-20011-LC)**

**Technical information**

<b>Material</b>	Aluminium	<b>CCT / CRI</b>	3000K CRI80, 4000K CRI80	<b>Cable</b>	One IP68 connector supplied with 0.5 m of 3x1.0 sqmm outdoor cable	
<b>Light source</b>	2 x 24 LED	<b>Bug</b>	B1-U0-G1, B2-U0-G0, B2-U0-G2, B3-U0-G0, B3-U0-G1	<b>Through wiring</b>	Single cable entry	
<b>Power</b>	106 W	<b>ULR</b>	<1%	<b>Lens / Reflector / Optic</b>	Clear toughened glass, High-efficiency polycarbonate lens	
<b>Lumen</b>	12252 - 14054 lm	<b>ULOR</b>	0%, <1%	<b>MacAdam Ellipse</b>	3 SDCM	
<b>Efficacy</b>	116 - 133 lm/W	<b>CIE flux code n°3</b>	97, 98, 99	<b>Lifetime L90B10 (hours)</b>	> 90,000	
<b>Driver option</b>	Integral control gear	<b>Dimming type</b>	DALI	<b>Lifetime L80B10 (hours)</b>	> 90,000	
<b>Driver</b>	Constant current (CC)	<b>Product colours</b>	Black, Dark Grey, White, Matt Silver, Bronze, Concrete - Urban, Softscape - Urban, Stone - Urban, Corten - Urban, Oak - Woodland, Walnut - Woodland, Pine - Woodland	<b>Lifetime L80B50 (hours)</b>	> 90,000	
<b>Input voltage</b>	220-240 V 50/60 Hz			<b>Variants (DALI)</b>	Compatible with EN/ IEC 60598-2-22: Suitable for emergency installations as central supply, non-maintained (Z0)	
<b>Optic</b>	M, W, EW, T2, T3, T4, ME					
<b>Optic value</b>	30°, 57°, 110°, 142°x42°, 150°x71°, 122°x79°, 148°x63°	<b>Weight</b>	27.5 kg			
		<b>Operating temperature</b>	-20 °C to 50 °C			
		<b>EPA (m2)</b>	0.286			

HAMILTON 2  
HAM-20011



**HAMILTON 2** (HAM-20011-LC)**Accessory**

Zhaga Book 18 socket (Down)  
**A90991-D**



Zhaga Book 18 socket (Up)  
**A90991-U**



NEMA 7 socket  
**A90891**



DALI Control System  
**Control-DALI**