

KWH 1 (KWH-30001)



Product description

Small

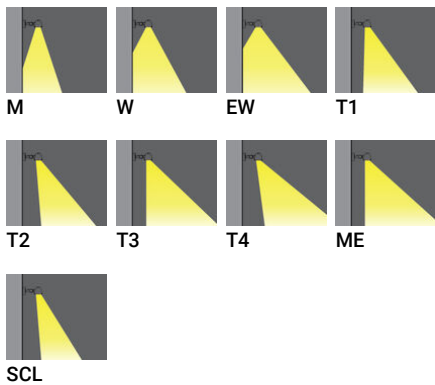


microVos microPrim™

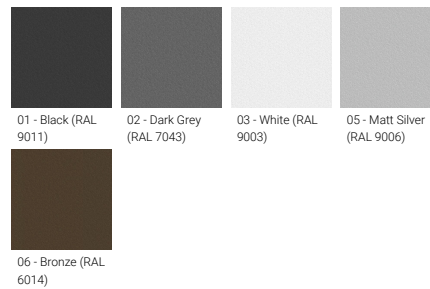
Luminaire Structure

- Die-cast aluminium end-caps
- Extruded aluminium housing
- Pre-treated before powder coating ensuring high corrosion resistance
- Single cable entry, through wiring upon request
- Stainless steel fasteners in grade 304 with zinc flake coating (ZFC)
- Durable silicone rubber gasket
- Clear toughened glass
- High-efficiency PMMA lens
- Integral control gear

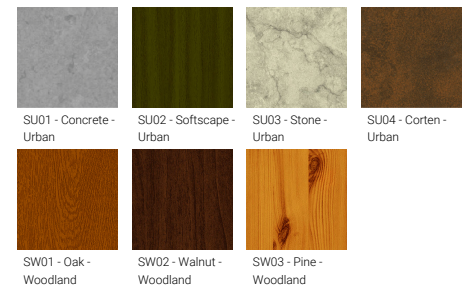
Optic



Product colour



Special finishes upon request



KWH 1 (KWH-30001)

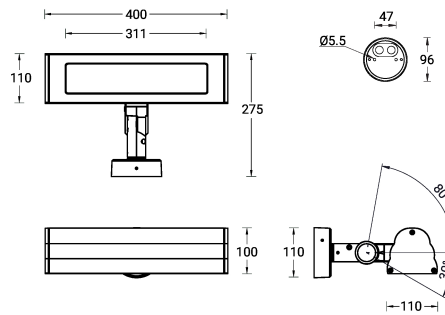
Technical information

Material	Aluminium
Light source	2 x 12 LED
Power	19 W
Lumen	2140 - 2591 lm
Efficacy	113 - 136 lm/W
Driver option	Integral control gear
Driver	Constant current (CC)
Input voltage	220-240 V 50/60 Hz
Optic	M, W, EW, T1, T2, T3, T4, ME, SCL

Optic value	31°, 55°, 107°, 132°x34°, 142°x49°, 150°x74°, 116°x79°, 150°x67°, 156°x52°
CCT / CRI	3000K CRI80, 4000K CRI80
Bug	B1-U0-G0, B1-U0-G1, B2-U0-G0
ULR	<1%
ULOR	<1%
CIE flux code n°3	95, 96, 97, 98, 99
Dimming type	On/Off, 1-10V, DALI
Product colours	Black, Dark Grey, White, Matt Silver, Bronze, Concrete - Urban, Softscape - Urban, Stone - Urban, Corten - Urban, Oak - Woodland, Walnut - Woodland, Pine - Woodland
Weight	4.0 kg

Operating temperature	-20 °C to 50 °C
Through wiring	Single cable entry, through wiring upon request
Lens / Reflector / Optic	Clear toughened glass, High- efficiency PMMA lens
MacAdam Ellipse	3 SDCM
Lifetime L90B10 (hours)	> 90,000
Lifetime L80B10 (hours)	> 90,000
Lifetime L80B50 (hours)	> 90,000
Variants (On/Off, 1-10V, DALI)	Compatible with EN/ IEC 60598-2-22: Suitable for emergency installations as central supply, non- maintained (Z0)

KWH-30001



Accessory



DALI Control System
Control-DALI
