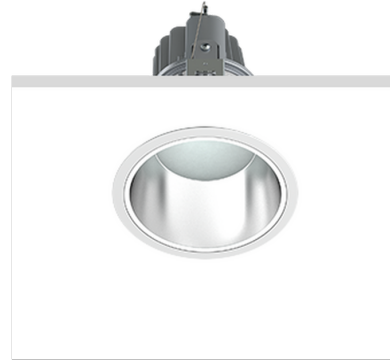
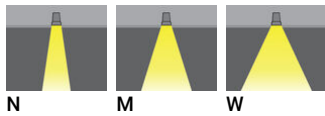
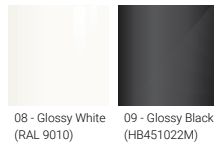


AMOS 2 (AM-80021)**Product description**

Ø138 mm

**Luminaire Structure**

- Die-cast aluminium housing with powder coating
- Die-cast aluminium heat sink with excellent thermal management
- Aluminium reflector with white powder coating
- Remote driver (included)

Optic**N** **M** **W****Product colour**

08 - Glossy White (RAL 9010) 09 - Glossy Black (HB451022M)

AMOS 2 (AM-80021)

Technical information

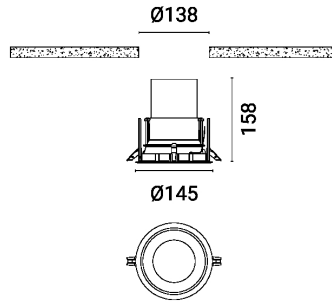
| | |
|----------------------|--------------------------|
| Material | Aluminium |
| Light source | 9 LED |
| Power | 15 W |
| Lumen | 1044 - 1398 lm |
| Efficacy | 70 - 93 lm/W |
| Driver option | Remote driver (included) |
| Driver | Constant current (CC) |
| Input voltage | 220-240 V 50/60 Hz |
| Optic | N, M, W |

| | |
|--------------------------|------------------------------------|
| Optic value | 33°, 40°, 46° |
| CCT / CRI | 3000K CRI80, 4000K CRI80 |
| Bug | B1-U0-G0, B1-U0-G1, B2-U0-G1 |
| ULR | <1% |
| ULOR | <1% |
| CIE flux code n°3 | 98, 99 |
| Dimming type | On/Off, 1-10V, DALI, Trailing edge |
| Product colours | Glossy White, Glossy Black |
| Weight | 1.0 kg |

| | |
|---------------------------------|---|
| Operating temperature | -20 °C to 40 °C |
| Lens / Reflector / Optic | Aluminium reflector with white powder coating |
| MacAdam Ellipse | 3 SDCM |
| Lifetime L90B10 (hours) | > 120,000 |
| Lifetime L80B10 (hours) | > 120,000 |
| Lifetime L80B50 (hours) | > 120,000 |

Variants (1-10V, DALI) Compatible with EN/ IEC 60598-2-22: Suitable for emergency installations as central supply, non-maintained (Z0)

AM-80021



AMOS 2 (AM-80021)

Accessory



DALI Control System
Control-DALI
