

**ARDEN 1 (ARD-80003)**



**Product description**

Down - 330 mm - Tunable White



microPrim™

**Luminaire Structure**

- Extruded aluminium bended profile with powder coating
- Passive thermal management
- Stainless steel fasteners in grade 304 with zinc flake coating (ZFC)
- PMMA diffuser with Opal (UGR <19) and micro prismatic (UGR <13) options for better glare control

- Integral control gear
- Stainless steel brackets and screws for mounting
- Down light distribution only
- Wireless control available through Bluetooth connection

- Daylight and occupancy sensor options
- Emergency module (1 or 3 hours) is available upon request with 3 options (BASIC, SELF-TEST, PRO-DALI)

**Optic**



**Product colour**



01 - Black (RAL 9011)    03 - White (RAL 9003)    05 - Matt Silver (RAL 9006)

**Special finishes upon request**



SU01 - Concrete - Urban    SU02 - Softscape - Urban    SU03 - Stone - Urban    SU04 - Corten - Urban



SW01 - Oak - Woodland    SW02 - Walnut - Woodland    SW03 - Pine - Woodland

**ARDEN 1 (ARD-80003)**

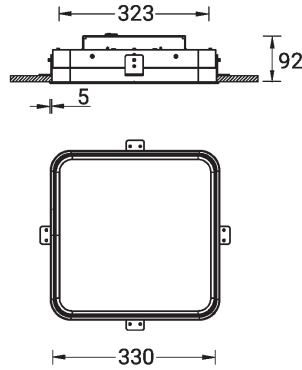
**Technical information**

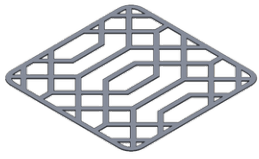
|                      |                       |
|----------------------|-----------------------|
| <b>Material</b>      | Aluminium             |
| <b>Light source</b>  | 336 LED               |
| <b>Power</b>         | 21 W                  |
| <b>Lumen</b>         | 1720 - 2004 lm        |
| <b>Efficacy</b>      | 82 - 95 lm/W          |
| <b>Driver option</b> | Integral control gear |
| <b>Driver</b>        | Constant current (CC) |
| <b>Input voltage</b> | 220-240 V 50/60 Hz    |
| <b>Optic</b>         | O, P                  |

|                          |   |
|--------------------------|---|
| <b>Optic value</b>       | 108°, 93°   |
| <b>CCT / CRI</b>         | TW (2700K - 6500K)  |
| <b>Bug</b>               | B1-U0-G1  |
| <b>ULR</b>               | <1%   |
| <b>ULOR</b>              | <1%   |
| <b>CIE flux code n°3</b> | 96, 97  |
| <b>Dimming type</b>      | DALI  |
| <b>Product colours</b>   | Black, White, Matt Silver,<br>Concrete - Urban, Softscape -<br>Urban, Stone - Urban, Corten -<br>Urban, Oak - Woodland, Walnut<br>- Woodland, Pine - Woodland |
| <b>Weight</b>            | 2.4 kg  |

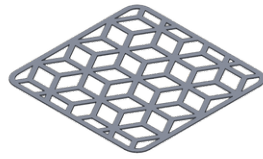
|                                 |   |
|---------------------------------|---|
| <b>Operating temperature</b>    | -20 °C to 40 °C   |
| <b>Lens / Reflector / Optic</b> | PMMA diffuser with Opal (UGR <19) and micro prismatic (UGR <13) options for better glare control                |
| <b>MacAdam Ellipse</b>          | 3 SDCM  |
| <b>Lifetime L90B10 (hours)</b>  | > 23,000  |
| <b>Lifetime L80B10 (hours)</b>  | > 45,000  |
| <b>Lifetime L80B50 (hours)</b>  | > 50,000  |
| <b>Variants (DALI)</b>          | Compatible with EN/ IEC 60598-2-22: Suitable for emergency installations as central supply, non-maintained (Z0) |

**ARD-80003**

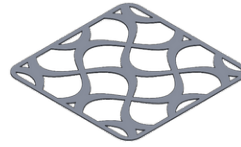


**ARDEN 1 (ARD-80003)****Accessory**

Decorative pattern - Type A for  
ARDEN 300 mm  
**A91421**



Decorative pattern - Type B for  
ARDEN 300 mm  
**A92821**



Decorative pattern - Type C for  
ARDEN for ARDEN 300 mm  
**A94221**



Wireless bluetooth converter  
**A90291**



Xpress wireless switch  
**A90591**



DALI Control System  
**Control-DALI**