

FRAME 1 (FRA-10021)



Product description

Down (Optic) & Up (Optic 2nd) - RGBW only bottom



microPrim™



Luminaire Structure

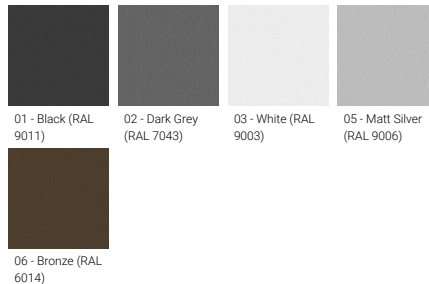
- Die-cast aluminium housing and frame
- Pre-treated before powder coating ensuring high corrosion resistance
- IK08 for the concealed downlight lens and IK10 for the whole body and top casting
- Single cable entry
- One IP68 connector supplied with 0.2 m of 3x1.0 sqmm outdoor cable
- Stainless steel fasteners in grade 304 with zinc flake coating (ZFC)
- Durable silicone rubber gasket
- Opal toughened glass
- Integral control gear
- Surge protection 10kV
- Universal power socket & USB (IP66, IK06) is available as an accessory

Optic

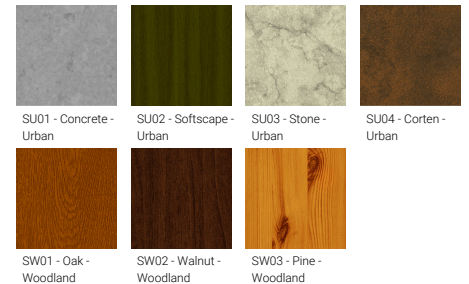


G / G

Product colour



Special finishes upon request



FRAME 1 (FRA-10021)

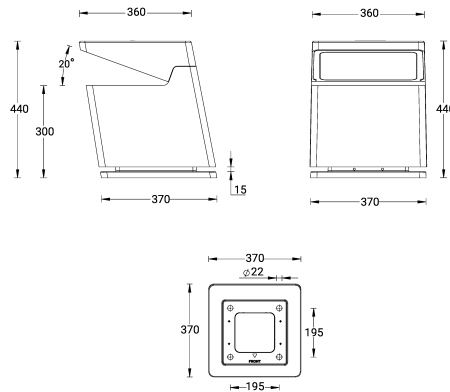
Technical information

Material	Aluminium
Light source	4 x 48 & 2 x 36 LED
Power	41 W
Lumen	425 - 441 lm
Efficacy	10 - 11 lm/W
Driver option	Integral control gear
Driver	Constant current (CC)

Input voltage	220-240 V 50/60 Hz
Optic	G
Optic value	360°
Optic (2nd)	G
Optic (2nd) value	70°
CCT / CRI	RGBW30, RGBW40
Dimming type	DMX, DMX/RDM

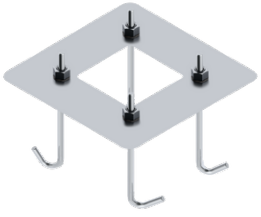
Product colours	Black, Dark Grey, White, Matt Silver, Bronze, Concrete - Urban, Softscape - Urban, Stone - Urban, Corten - Urban, Oak - Woodland, Walnut - Woodland, Pine - Woodland
Weight	27.0 kg
Operating temperature	-20 °C to 40 °C
Cable	One IP68 connector supplied with 0.2 m of 3x1.0 sqmm outdoor cable
Through wiring	Single cable entry
Lens / Reflector / Optic	Opal toughened glass

FRA-10021



FRAME 1 (FRA-10021)

Accessory



Anchor bolt
A12591



Universal power plug & USB
A92391



North America power plug &
USB Type C
A92391-US



DMX Control System
Control-DMX



DALI Control System
Control-DALI



DMX/RDM Control System
Control-DMX-RDM