

LADOR 20 (LD-50081)



Product description

Integral control gear - 62x62 mm - Class I



microPrim™

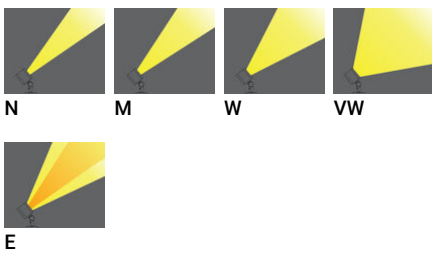
Luminaire Structure

- Die-cast aluminium housing
- Pre-treated before powder coating ensuring high corrosion resistance
- Thermal heat dissipation body
- Adjustable: Tilt 80° (Up) & 40° (Down), Rotation 350°

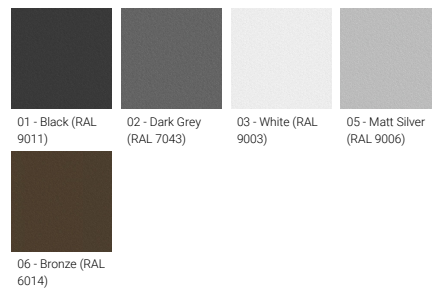
- Single cable entry
- Stainless steel fasteners in grade 304 with zinc flake coating (ZFC)
- Durable silicone rubber gasket
- High-efficiency PMMA lens

- Clear toughened glass
- Integral control gear

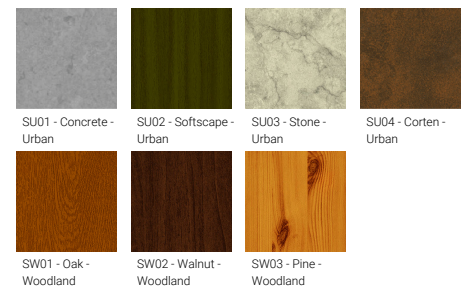
Optic



Product colour



Special finishes upon request



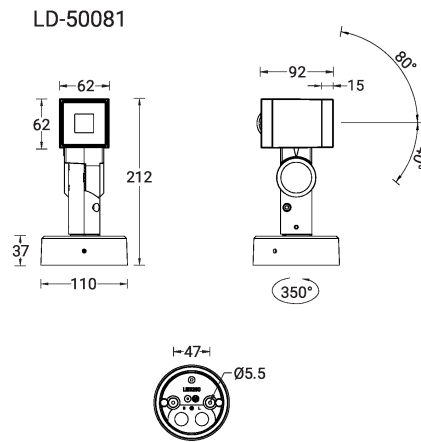
LADOR 20 (LD-50081)

Technical information

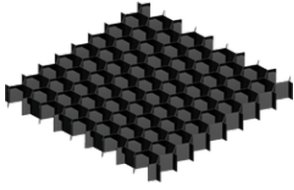
Material	Aluminium
Light source	1 LED
Power	3 W
Lumen	209 - 262 lm
Efficacy	70 - 87 lm/W
Driver option	Integral control gear
Driver	Constant current (CC)
Input voltage	220-240 V 50/60 Hz

Optic	N, M, W, VW, E
Optic value	10°, 16°, 32°, 70°, 42°x11°
CCT / CRI	3000K CRI80, 4000K CRI80
Bug	B0-U0-G0, B1-U0-G0
ULR	0%, <1%
ULOR	0%, <1%
CIE flux code n°3	100
Dimming type	On/Off

Product colours	Black, Dark Grey, White, Matt Silver, Bronze, Concrete - Urban, Softscape - Urban, Stone - Urban, Corten - Urban, Oak - Woodland, Walnut - Woodland, Pine - Woodland
Weight	1.2 kg
Operating temperature	-20 °C to 40 °C
EPA (m2)	0.023
Through wiring	Single cable entry
Lens / Reflector / Optic	High-efficiency PMMA lens, Clear toughened glass



LADOR 20 (LD-50081)**Accessory**



Honeycomb louvre
A51821



Linear spread lens
A51114



Mounting belt
A50291



Ground spike
A51041



Anti-glare visor
A52831

Please contact the factory for technical details if you wish to use Anti-glare accessories, Colour filters, Lenses and slip glasses in combination.