

MACARON 2 (MC-20012-SO-20)



Product description

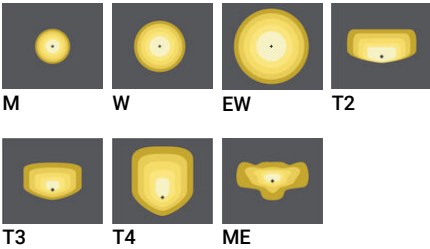
Made to order for 20 W Vertical solar PV pole



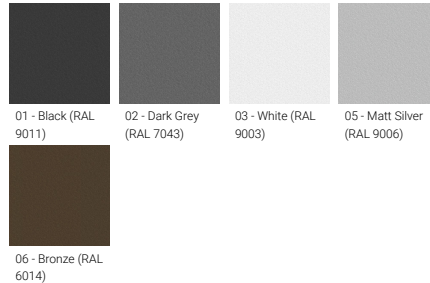
Luminaire Structure

- Clear toughened glass
- High-efficiency PMMA lens
- Integral control gear

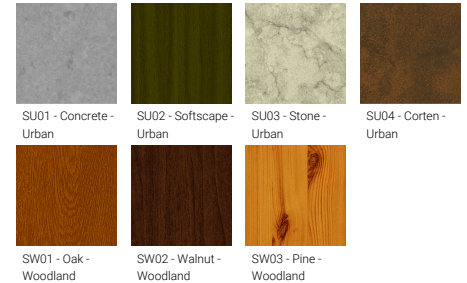
Optic



Product colour



Special finishes upon request



MACARON 2 (MC-20012-SO-20)

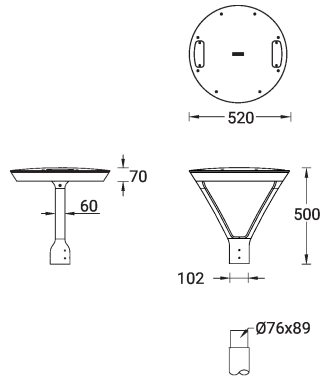
Technical information

Material	Aluminium
Light source	12 LED
Power	20 W
Lumen	2472 - 2859 lm
Efficacy	124 - 143 lm/W
Driver option	Integral control gear
Driver	Constant current (CC)

Input voltage	280 mA, 72 VDC
Optic	M, W, EW, T2, T3, T4, ME
Optic value	30°, 54°x58°, 107°x113°, 139°x28°, 140°x45°, 133°x40°, 143°x34°
CCT / CRI	3000K CRI80, 4000K CRI80
Bug	B1-U0-G0, B1-U0-G1, B2-U0-G0
ULR	<1%
ULOR	<1%

CIE flux code n°3	97, 98, 99
Dimming type	Dusk to Dawn, 2 Step dimming with motion sensor override, Solar Custom
Product colours	Black, Dark Grey, White, Matt Silver, Bronze, Concrete - Urban, Softscape - Urban, Stone - Urban, Corten - Urban, Oak - Woodland, Walnut - Woodland, Pine - Woodland
Weight	13.5 kg
Operating temperature	-20 °C to 40 °C
Lens / Reflector / Optic	Clear toughened glass, High-efficiency PMMA lens

MC-20012



MACARON 2 (MC-20012-SO-20)**Accessory**



Remote solar charge controller
for Solar Integrated Bollards and
Vertical Solar PV poles
A92691



Vertical solar PV pole 1
SOL-20001



Vertical solar PV pole 2
SOL-20011



Vertical solar PV pole 6
SOL-20051



IoT Module
A95591



Auto dimming feature
auto-dim