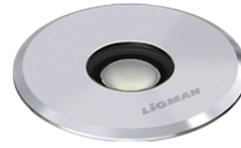


**NEVADA 1** (NE-60835)**Product description**

Without remote driver - With recessing box - Constant current (CC) 500 mA

**Luminaire Structure**

- Die-cast aluminium housing
- Pre-treated before powder coating ensuring high corrosion resistance
- 3 mm thick front ring in grade 316 stainless steel
- Single cable entry
- One cable gland supplied with 0.5 m of 2x1.0 sqmm outdoor cable
- Stainless steel fasteners in grade 316
- Durable silicone rubber gasket
- Clear toughened glass
- Remote driver (not included)
- Recessing box in high-density polyethylene is included
- Suitable for walk-over with a maximum load of 200 kg
- To ensure efficient drainage, gravel must be used to a depth of 450 mm and width of 300 mm beneath the housing and should also be placed around luminaire

**Optic****N****Product colour**

00 - Stainless Steel

**NEVADA 1 (NE-60835)**

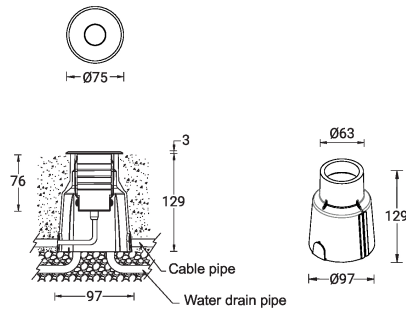
**Technical information**

<b>Material</b>	Stainless Steel
<b>Light source</b>	1 LED
<b>Power</b>	2 W
<b>Lumen</b>	191 - 201 lm
<b>Efficacy</b>	96 - 101 lm/W
<b>Driver option</b>	Remote driver (not included)
<b>Driver</b>	Constant current (CC)
<b>Input voltage</b>	500 mA, 3 VDC
<b>Optic</b>	N

<b>Optic value</b>	22°
<b>CCT / CRI</b>	3000K CRI80, 4000K CRI80
<b>Bug</b>	B1-U0-G0
<b>ULR</b>	100%
<b>ULOR</b>	100%
<b>Dimming type</b>	On/Off
<b>Product colours</b>	Stainless Steel
<b>Weight</b>	0.5 kg
<b>Operating temperature</b>	-20 °C to 40 °C

<b>Cable</b>	One cable gland supplied with 0.5 m of 2x1.0 sqmm outdoor cable
<b>Through wiring</b>	Single cable entry
<b>Lens / Reflector / Optic</b>	Clear toughened glass
<b>MacAdam Ellipse</b>	3 SDCM
<b>Lifetime L90B10 (hours)</b>	> 109,000
<b>Lifetime L80B10 (hours)</b>	> 109,000
<b>Lifetime L80B50 (hours)</b>	> 109,000

NE-60835



**NEVADA 1 (NE-60835)****Accessory**

Connector IP68 3 Pin Power  
**A62591**



Connector IP68 5 Pin Power +  
Signal  
**A613191**



Remote box IP65  
**A80191**



Driver (CC)- 1-10V - 10 W - IP20 -  
700 mA max  
**A35191-DI**



Driver (CC) - DALI - 10 W - IP20 -  
700 mA max  
**A35191-DA**



Driver (CC) - On/Off - 20 W - IP20  
- 700 mA max  
**A32691-ND**