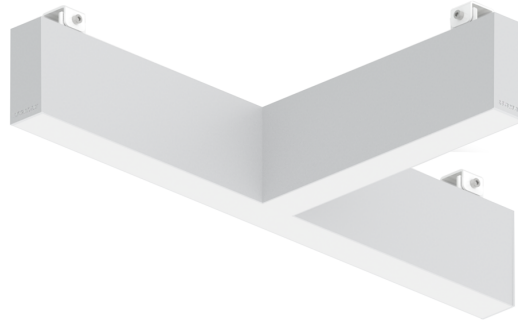


NYBRO 18 (NYB-80902-SU)



Product description

Down (Optic) & Up (Optic 2nd) - T90° - 40x95 mm - 335 mm

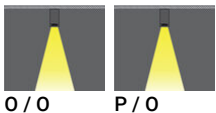


microPrim™

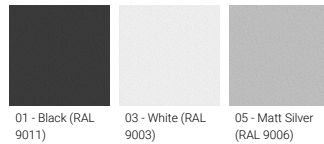
Luminaire Structure

- Die-cast aluminium end-caps and extruded aluminium profile with powder coating
- Passive thermal management
- Stainless steel fasteners in grade 304 with zinc flake coating (ZFC)
- PMMA diffuser with Opal (UGR <19) and micro prismatic (UGR <13) options for better glare control
- Integral control gear
- Stainless steel brackets and screws for mounting
- Up and down light distribution options
- Wireless control available through Bluetooth connection
- Daylight and occupancy sensor options

Optic



Product colour



Special finishes upon request



NYBRO 18 (NYB-80902-SU)

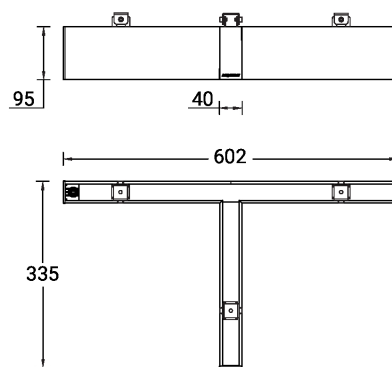
Technical information

Material	Aluminium
Light source	108 & 96 LED
Power	35 W
Lumen	3069 - 3386 lm
Efficacy	88 - 97 lm/W
Driver option	Integral control gear
Driver	Constant current (CC)
Input voltage	220-240 V 50/60 Hz

Optic	O, P
Optic value	Opal, Micro-prismatic
Optic (2nd)	O
Optic (2nd) value	Opal
CCT / CRI	3000K CRI80, 4000K CRI80
Dimming type	On/Off, DALI
Product colours	Black, White, Matt Silver, Concrete - Urban, Softscape - Urban, Stone - Urban, Corten - Urban, Oak - Woodland, Walnut - Woodland, Pine - Woodland
Weight	3.5 kg

Operating temperature	-20 °C to 40 °C
MacAdam Ellipse	3 SDCM
Lifetime L90B10 (hours)	> 23,000
Lifetime L80B10 (hours)	> 45,000
Lifetime L80B50 (hours)	> 50,000
Variants (On/Off, DALI)	Compatible with EN/ IEC 60598-2-22: Suitable for emergency installations as central supply, non-maintained (Z0)

NYB-80902-SU



NYBRO 18 (NYB-80902-SU)**Accessory**



Continuous-coupler bracket
(40/50 mm Down profile)
A81881



DALI Control System
Control-DALI
