

VANCOUVER 63 (VA-70021) (Version 1)



Product description

160x160 mm - 400 mm



microPrim™

Luminaire Structure

- Die-cast aluminium housing
- Extruded aluminium column
- Pre-treated before powder coating ensuring high corrosion resistance
- Single cable entry
- One IP68 connector supplied with 0.2 m of 3x1.0 sqmm outdoor cable
- Stainless steel fasteners in grade 304 with zinc flake coating (ZFC)
- Durable silicone rubber gasket
- High-efficiency polycarbonate lens
- Clear toughened glass
- Integral control gear

Optic

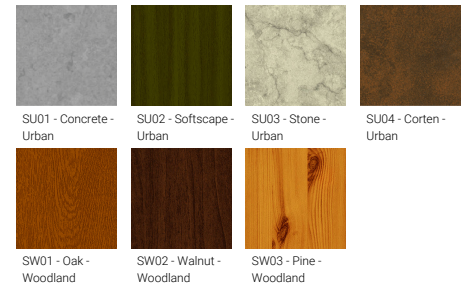


G

Product colour



Special finishes upon request



VANCOUVER 63 (VA-70021) (Version 1)

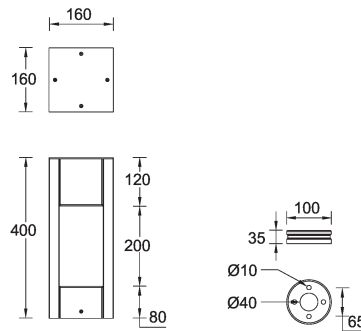
Technical information

Material	Aluminium
Light source	1 COB
Power	14 W
Lumen	1513 - 1593 lm
Efficacy	108 - 114 lm/W
Driver option	Integral control gear
Driver	Constant current (CC)
Input voltage	220-240 V 50/60 Hz

Optic	G
Optic value	143°
CCT / CRI	3000K CRI80, 4000K CRI80
Bug	B1-U3-G1
ULR	10.9
ULOR	10.9
CIE flux code n°3	84
Dimming type	On/Off

Product colours	Black, Dark Grey, White, Matt Silver, Bronze, Concrete - Urban, Softscape - Urban, Stone - Urban, Corten - Urban, Oak - Woodland, Walnut - Woodland, Pine - Woodland
Weight	5.6 kg
Operating temperature	-20 °C to 40 °C
Cable	One IP68 connector supplied with 0.2 m of 3x1.0 sqmm outdoor cable
Through wiring	Single cable entry
Lens / Reflector / Optic	High-efficiency polycarbonate lens, Clear toughened glass
MacAdam Ellipse	3 SDCM
Lifetime L90B10 (hours)	> 61,000

VA-70021



Accessory



Anchor bolt
A12191
