

**BILLUND 2 (BIU-90053-LC)**



**Product description**

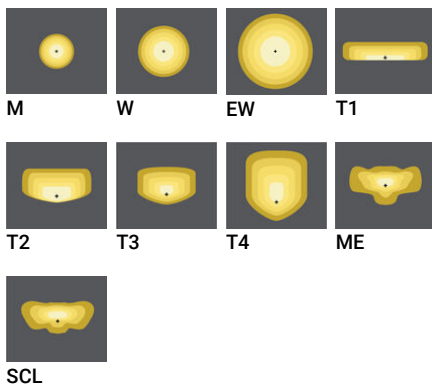
Medium - LIGHTCONNECT™



**Luminaire Structure**

- Die-cast aluminium housing
- Pre-treated before powder coating ensuring high corrosion resistance
- Thermal heat dissipation body
- Single cable entry
- One IP68 connector supplied with 0.3 m of 3x1.0 sqmm outdoor cable
- Stainless steel fasteners in grade 304 with zinc flake coating (ZFC)
- Durable silicone rubber gasket
- Clear toughened glass
- High-efficiency polycarbonate lens
- Integral control gear
- Surge protection 10kV
- Constant lumen output (CLO) and Night-time dimming options

**Optic**



**Product colour**



**Special finishes upon request**

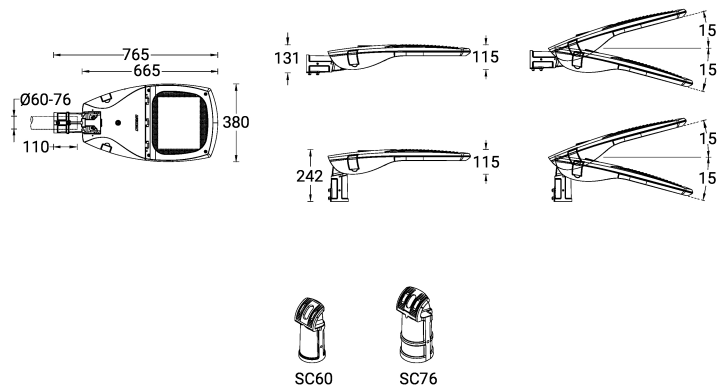


**BILLUND 2 (BIU-90053-LC)**

**Technical information**

<b>Material</b>	Aluminium	<b>CCT / CRI</b>	2700K CRI70, 2700K CRI80, 3000K CRI70, 3000K CRI80, 4000K CRI70, 4000K CRI80	<b>Cable</b>	One IP68 connector supplied with 0.3 m of 3x1.0 sqmm outdoor cable
<b>Light source</b>	48 LED	<b>Bug</b>	B2-U0-G2, B3-U0-G1, B3-U0-G3, B4-U0-G1	<b>Through wiring</b>	Single cable entry
<b>Power</b>	122 W	<b>ULR</b>	<1%	<b>Lens / Reflector / Optic</b>	Clear toughened glass, High-efficiency polycarbonate lens
<b>Lumen</b>	11697 - 16298 lm	<b>ULOR</b>	<1%	<b>MacAdam Ellipse</b>	5 SDCM
<b>Efficacy</b>	96 - 134 lm/W	<b>CIE flux code n°3</b>	96, 97, 98, 99	<b>Lifetime L90B10 (hours)</b>	> 35,000
<b>Driver option</b>	Integral control gear	<b>Dimming type</b>	DALI	<b>Lifetime L80B10 (hours)</b>	> 74,000
<b>Driver</b>	Constant current (CC)	<b>Product colours</b>	Black, Dark Grey, White, Matt Silver, Bronze, Concrete - Urban, Softscape - Urban, Stone - Urban, Corten - Urban, Oak - Woodland, Walnut - Woodland, Pine - Woodland	<b>Lifetime L80B50 (hours)</b>	> 80,000
<b>Input voltage</b>	220-240 V 50/60 Hz			<b>Variants (DALI)</b>	Compatible with EN/ IEC 60598-2-22: Suitable for emergency installations as central supply, non-maintained (Z0)
<b>Optic</b>	M, W, EW, T1, T2, T3, T4, ME, SCL	<b>Weight</b>	11.5 kg		
<b>Optic value</b>	31°, 56°, 106°x113°, 149°x72°, 137°x51°, 126°x89°, 103°x74°, 138°x56°, 151°x65°	<b>Operating temperature</b>	-20 °C to 40 °C		
		<b>EPA (m2)</b>	0.068		

BIU-90053



**BILLUND 2** (BIU-90053-LC)**Accessory**

NEMA 7 socket  
**A90891**



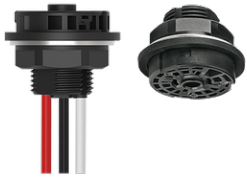
Zhaga Book 18 socket (Up)  
**A90991-U**



Motion sensor - PIR - DALI - Up  
to 3 m  
**A91691-L2**



Motion sensor - PIR - DALI - Up  
to 12 m  
**A91691-L7**



Zhaga Book 18 socket (Down)  
**A90991-D**



DALI Control System  
**Control-DALI**