

LADOR 45 (LD-50231)



Product description

Integral control gear - 145x145 mm - Class I - RGBW



microPrim™

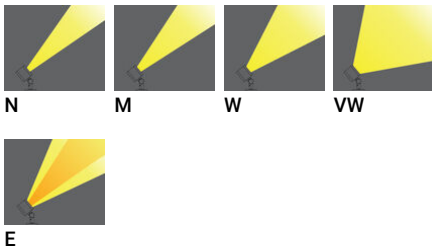
Luminaire Structure

- Die-cast aluminium housing
- Pre-treated before powder coating ensuring high corrosion resistance
- Thermal heat dissipation body
- Adjustable: Tilt 80° (Up) & 40° (Down), Rotation 350°

- Single cable entry
- Stainless steel fasteners in grade 304 with zinc flake coating (ZFC)
- Durable silicone rubber gasket
- High-efficiency PMMA lens

- Clear toughened glass
- Integral control gear

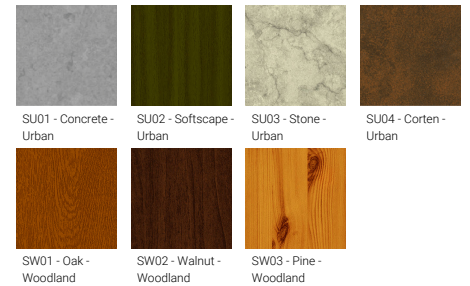
Optic



Product colour



Special finishes upon request



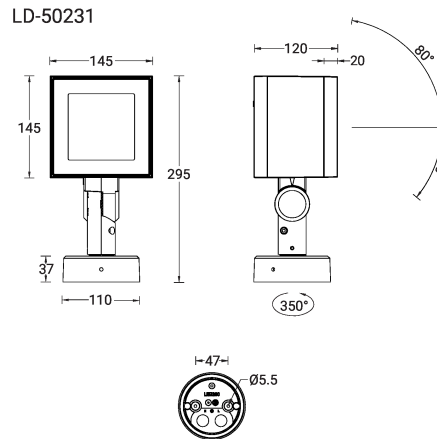
LADOR 45 (LD-50231)

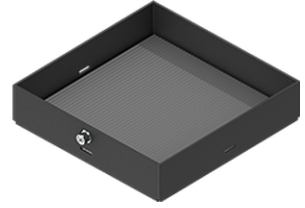
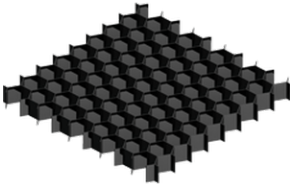
Technical information

| | |
|----------------------|-----------------------|
| Material | Aluminium |
| Light source | 16 LED |
| Power | 28 W |
| Lumen | 1322 - 1600 lm |
| Efficacy | 47 - 57 lm/W |
| Driver option | Integral control gear |
| Driver | Constant current (CC) |
| Input voltage | 220-240 V 50/60 Hz |

| | |
|--------------------------|----------------------------|
| Optic | N, M, W, VW, E |
| Optic value | 8°, 17°, 26°, 65°, 43°x11° |
| CCT / CRI | RGBW30, RGBW40 |
| Bug | B1-U0-G0 |
| ULR | 0%, <1% |
| ULOR | 0%, <1% |
| CIE flux code n°3 | 100 |
| Dimming type | DMX, DMX/RDM |

| | |
|---------------------------------|--|
| Product colours | Black, Dark Grey, White, Matt Silver, Bronze, Concrete - Urban, Softscape - Urban, Stone - Urban, Corten - Urban, Oak - Woodland, Walnut - Woodland, Pine - Woodland |
| Weight | 3.5 kg |
| Operating temperature | -20 °C to 40 °C |
| EPA (m2) | 0.043 |
| Through wiring | Single cable entry |
| Lens / Reflector / Optic | High-efficiency PMMA lens, Clear toughened glass |
| Variants (DMX/RDM) | Compatible with EN/ IEC 60598-2-22: Suitable for emergency installations as central supply, non-maintained (Z0) |



LADOR 45 (LD-50231)**Accessory**DMX Control System
Control-DMXDMX/RDM Control System
Control-DMX-RDMGround spike
A51041Linear spread lens
A51414Honeycomb louvre
A52121Anti-glare visor
A53131Mounting belt
A50291

Please contact the factory for technical details if you wish to use Anti-glare accessories, Colour filters, Lenses and slip glasses in combination.