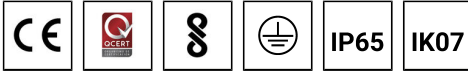


**MIC 3 (MI-50383)**



**Product description**

Medium

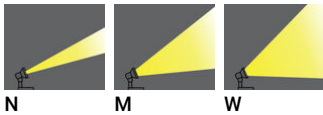


microPrim™

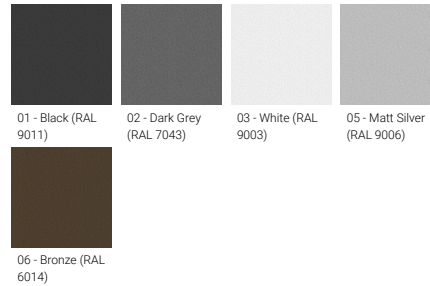
**Luminaire Structure**

- Die-cast aluminium housing
- Pre-treated before powder coating ensuring high corrosion resistance
- Single cable entry
- Stainless steel fasteners in grade 304 with zinc flake coating (ZFC)
- Durable silicone rubber gasket
- High-efficiency PMMA lens
- Clear toughened glass
- Integral control gear

**Optic**



**Product colour**



**Special finishes upon request**



**MIC 3 (MI-50383)**

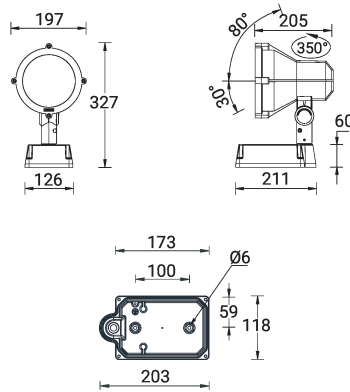
**Technical information**

<b>Material</b>	Aluminium
<b>Light source</b>	24 LED
<b>Power</b>	38 W
<b>Lumen</b>	3634 - 4265 lm
<b>Efficacy</b>	96 - 112 lm/W
<b>Driver option</b>	Integral control gear
<b>Driver</b>	Constant current (CC)
<b>Input voltage</b>	220-240 V 50/60 Hz

<b>Optic</b>	N, M, W
<b>Optic value</b>	15°, 26°, 45°
<b>CCT / CRI</b>	3000K CRI80, 4000K CRI80
<b>Dimming type</b>	On/Off, 1-10V, DALI
<b>Product colours</b>	Black, Dark Grey, White, Matt Silver, Bronze, Concrete - Urban, Softscape - Urban, Stone - Urban, Corten - Urban, Oak - Woodland, Walnut - Woodland, Pine - Woodland
<b>Weight</b>	3.9 kg
<b>Operating temperature</b>	-20 °C to 40 °C
<b>Through wiring</b>	Single cable entry

<b>Lens / Reflector / Optic</b>	High-efficiency PMMA lens, Clear toughened glass
<b>MacAdam Ellipse</b>	3 SDCM
<b>Lifetime L90B10 (hours)</b>	> 120,000
<b>Lifetime L80B10 (hours)</b>	> 120,000
<b>Lifetime L80B50 (hours)</b>	> 120,000
<b>Variants (1-10V, DALI)</b>	Compatible with EN/ IEC 60598-2-22: Suitable for emergency installations as central supply, non-maintained (Z0)

MI-50383



**MIC 3** (MI-50383)**Accessory**

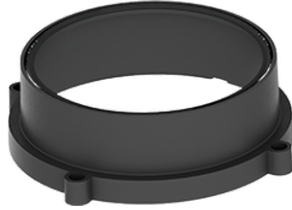
---



---

Anti-glare visor  
**A50231**

---



---

Anti-glare hood  
**A51631**

---



---

Ground spike  
**A50141**

---

Please contact the factory for technical details if you wish to use Anti-glare accessories, Colour filters, Lenses and slip glasses in combination.