

ODESSA 11 (OD-50132) (Version 2)



Product description

Large

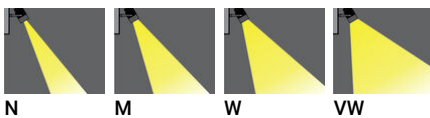


microPrim™

Luminaire Structure

- Die-cast aluminium housing
- Pre-treated before powder coating ensuring high corrosion resistance
- Single cable entry
- One IP68 connector supplied with 0.2 m of 3x1.0 sqmm outdoor cable
- Stainless steel fasteners in grade 304 with zinc flake coating (ZFC)
- Durable silicone rubber gasket
- High-efficiency optical reflector
- Clear toughened glass
- Integral control gear
- Arm mounting installation

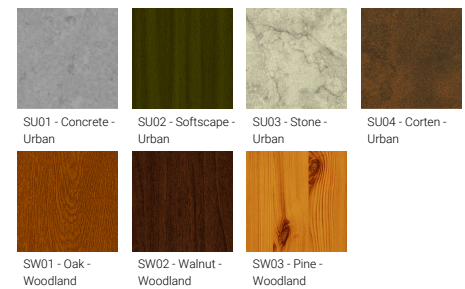
Optic



Product colour



Special finishes upon request



ODESSA 11 (OD-50132) (Version 2)

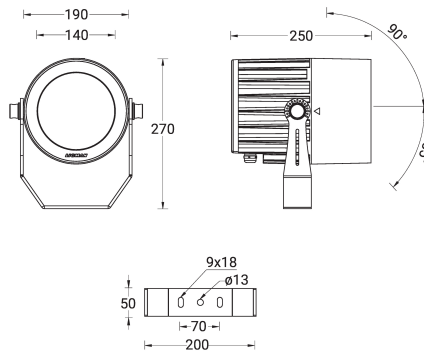
Technical information

| | |
|----------------------|-----------------------|
| Material | Aluminium |
| Light source | 1 COB |
| Power | 54 W |
| Lumen | 5969 - 6983 lm |
| Efficacy | 113 - 132 lm/W |
| Driver option | Integral control gear |
| Driver | Constant current (CC) |
| Input voltage | 220-240 V 50/60 Hz |
| Optic | N, M, W, VW |

| | |
|--------------------------|--|
| Optic value | 20°, 32°, 43°, 69° |
| CCT / CRI | 2700K CRI80, 3000K CRI80, 4000K CRI80 |
| Bug | B3-U0-G0, B4-U0-G0 |
| ULR | <1% |
| ULOR | <1% |
| CIE flux code n°3 | 100, 99 |
| Dimming type | On/Off, 1-10V, DALI |
| Product colours | Black, Dark Grey, White, Matt Silver, Bronze, Concrete - Urban, Softscape - Urban, Stone - Urban, Corten - Urban, Oak - Woodland, Walnut - Woodland, Pine - Woodland |
| Weight | 5.5 kg |

| | |
|---------------------------------------|---|
| Operating temperature | -20 °C to 40 °C |
| EPA (m2) | 0.068 |
| Cable | One IP68 connector supplied with 0.2 m of 3x1.0 sqmm outdoor cable |
| Through wiring | Single cable entry |
| Lens / Reflector / Optic | High-efficiency optical reflector, Clear toughened glass |
| MacAdam Ellipse | 3 SDCM |
| Lifetime L90B10 (hours) | > 61,000 |
| Variants (On/Off, 1-10V, DALI) | Compatible with EN/ IEC 60598-2-22: Suitable for emergency installations as central supply, non-maintained (Z0) |

OD-50132



Accessory



Anti glare visor
A54331



Anti glare louvre
A54531



Linear spread lens
A51814



Honeycomb louvre
A54121



DALI Control System
Control-DALI

Please contact the factory for technical details if you wish to use Anti-glare accessories, Colour filters, Lenses and slip glasses in combination.