

**UTAH 1 (UT-50553) (Version 3)**



**Product description**

Without remote driver - Constant current (CC) 500 mA  
 - Class III



**Luminaire Structure**

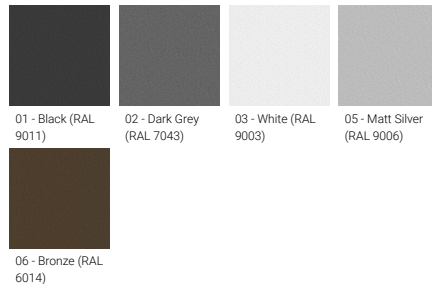
- Die-cast aluminium housing
- Pre-treated before powder coating ensuring high corrosion resistance
- Single cable entry
- One cable gland supplied with 0.5 m of 2x1.0 sqmm outdoor cable
- Stainless steel fasteners in grade 304 with zinc flake coating (ZFC)
- Durable silicone rubber gasket
- High-efficiency PMMA lens
- Clear toughened glass
- Remote driver (not included)
- Plastic ground spike for garden type

**Optic**

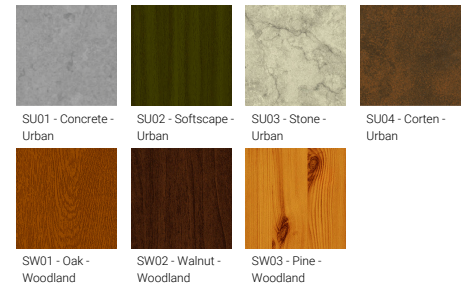


N

**Product colour**



**Special finishes upon request**



**UTAH 1 (UT-50553) (Version 3)**

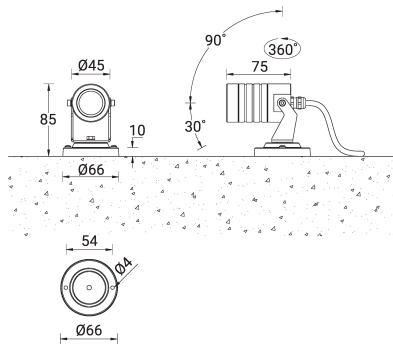
**Technical information**

<b>Material</b>	Aluminium
<b>Light source</b>	1 LED
<b>Power</b>	2 W
<b>Lumen</b>	191 - 201 lm
<b>Efficacy</b>	96 - 101 lm/W
<b>Driver option</b>	Remote driver (not included)
<b>Driver</b>	Constant current (CC)
<b>Input voltage</b>	500 mA, 3 VDC
<b>Optic</b>	N

<b>Optic value</b>	22°
<b>CCT / CRI</b>	3000K CRI80, 4000K CRI80
<b>Bug</b>	B0-U0-G0
<b>ULR</b>	<1%
<b>ULOR</b>	<1%
<b>CIE flux code n°3</b>	100
<b>Dimming type</b>	On/Off
<b>Product colours</b>	Black, Dark Grey, White, Matt Silver, Bronze, Concrete - Urban, Softscape - Urban, Stone - Urban, Corten - Urban, Oak - Woodland, Walnut - Woodland, Pine - Woodland
<b>Weight</b>	0.3 kg

<b>Operating temperature</b>	-20 °C to 40 °C
<b>EPA (m2)</b>	0.006
<b>Cable</b>	One cable gland supplied with 0.5 m of 2x1.0 sqmm outdoor cable
<b>Through wiring</b>	Single cable entry
<b>Lens / Reflector / Optic</b>	High-efficiency PMMA lens, Clear toughened glass
<b>MacAdam Ellipse</b>	3 SDCM
<b>Lifetime L90B10 (hours)</b>	> 109,000
<b>Lifetime L80B10 (hours)</b>	> 109,000
<b>Lifetime L80B50 (hours)</b>	> 109,000

UT-50553



**UTAH 1** (UT-50553) (Version 3)**Accessory**

---



---

Anti-glare visor  
**A51431**

---



---

Remote box IP65  
**A80191**

---



---

Driver (CC)- 1-10V - 10 W - IP20 -  
700 mA max  
**A35191-DI**

---



---

Driver (CC) - DALI - 10 W - IP20 -  
700 mA max  
**A35191-DA**

---



---

Driver (CC) - On/Off - 20 W - IP20  
- 700 mA max  
**A32691-ND**

---