

FREETOWN 4 (FRE-10031)



Product description

Ø186 - 1000 mm - Up



Luminaire Structure

- Die-cast aluminium housing
- Single cable entry
- One IP68 connector supplied with 0.2 m of 3x1.0 sqmm outdoor cable
- Stainless steel fasteners in grade 304 with zinc flake coating (ZFC)
- Durable silicone rubber gasket
- Clear toughened glass
- High-efficiency PMMA lens
- Integral control gear

Optic



G

Product colour



Special finishes upon request



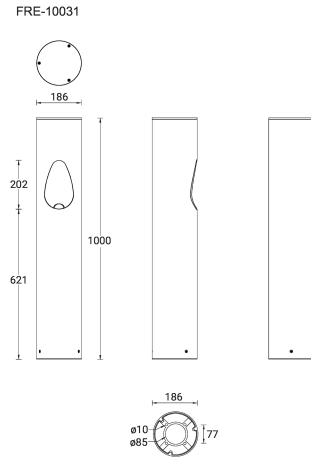
FREETOWN 4 (FRE-10031)

Technical information

Material	Aluminium
Light source	1 LED
Power	11 W
Lumen	649 - 682 lm
Efficacy	59 - 62 lm/W
Driver option	Integral control gear
Driver	Constant current (CC)
Input voltage	220-240 V 50/60 Hz

Optic	G
Optic value	45°x180°
CCT / CRI	3000K CRI80, 4000K CRI80
Bug	B0-U4-G0
ULR	99%
ULOR	99%
CIE flux code n°3	56
Dimming type	On/Off, 1-10V, DALI

Product colours	Black, Dark Grey, White, Matt Silver, Bronze, Concrete - Urban, Softscape - Urban, Stone - Urban, Corten - Urban, Oak - Woodland, Walnut - Woodland, Pine - Woodland
Weight	8.2 kg
Operating temperature	-20 °C to 40 °C
Cable	One IP68 connector supplied with 0.2 m of 3x1.0 sqmm outdoor cable
Through wiring	Single cable entry
Lens / Reflector / Optic	Clear toughened glass, High-efficiency PMMA lens
Variants (On/Off, 1-10V, DALI)	Compatible with EN/ IEC 60598-2-22: Suitable for emergency installations as central supply, non-maintained (Z0)



FREETOWN 4 (FRE-10031)**Accessory**



Anchor bolt
A10391



DALI Control System
Control-DALI