

**GINI 1 (GN-30061)**



**Product description**

Down



microPrim™

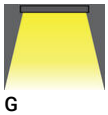


**DARKSKY APPROVED**  
Reduces light pollution  
Certified by DarkSky.org

**Luminaire Structure**

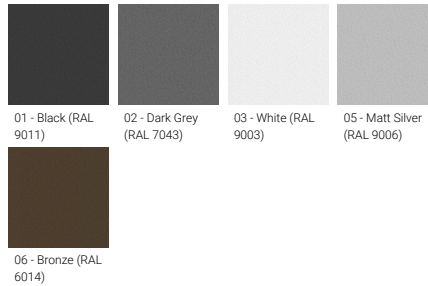
- Die-cast aluminium housing
- Pre-treated before powder coating ensuring high corrosion resistance
- Single cable entry
- Stainless steel fasteners in grade 304 with zinc flake coating (ZFC)
- Durable silicone rubber gasket
- Frosted toughened glass
- Integral control gear

**Optic**

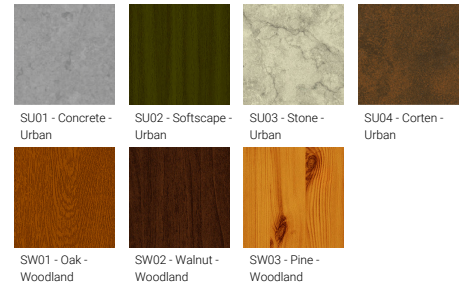


G

**Product colour**



**Special finishes upon request**



**GINI 1 (GN-30061)**

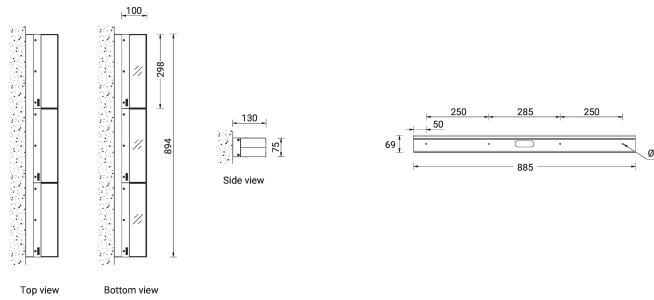
**Technical information**

<b>Material</b>	Aluminium
<b>Light source</b>	120 LED
<b>Power</b>	54 W
<b>Lumen</b>	3588 - 3738 lm
<b>Efficacy</b>	66 - 69 lm/W
<b>Driver option</b>	Integral control gear
<b>Driver</b>	Constant current (CC)
<b>Input voltage</b>	220-240 V 50/60 Hz
<b>Optic</b>	G

<b>Optic value</b>	95°x 86°
<b>CCT / CRI</b>	3000K CRI80, 4000K CRI80
<b>Bug</b>	B2-U1-G1
<b>ULR</b>	<1%
<b>ULOR</b>	<1%
<b>CIE flux code n°3</b>	98
<b>Dimming type</b>	On/Off, DALI
<b>Product colours</b>	Black, Dark Grey, White, Matt Silver, Bronze, Concrete - Urban, Softscape - Urban, Stone - Urban, Corten - Urban, Oak - Woodland, Walnut - Woodland, Pine - Woodland
<b>Weight</b>	10.4 kg

<b>Operating temperature</b>	-20 °C to 40 °C
<b>Through wiring</b>	Single cable entry
<b>Lens / Reflector / Optic</b>	Frosted toughened glass
<b>MacAdam Ellipse</b>	3 SDCM
<b>Lifetime L90B10 (hours)</b>	> 23,000
<b>Lifetime L80B10 (hours)</b>	> 45,000
<b>Lifetime L80B50 (hours)</b>	> 49,000
<b>Variants (On/Off, DALI)</b>	Compatible with EN/ IEC 60598-2-22: Suitable for emergency installations as central supply, non-maintained (Z0)

GN-30061



**Accessory**

---



DALI Control System  
**Control-DALI**

---