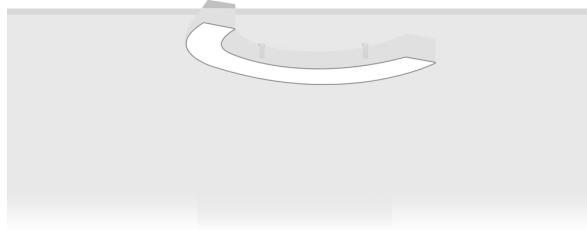


OULU 1 (OUL-80013)**Product description**

Down - 180° - R500 - RGBW



microPrim™

Luminaire Structure

- Extruded aluminium bended profile with powder coating
- Passive thermal management
- Stainless steel fasteners in grade 304 with zinc flake coating (ZFC)
- Opal PMMA diffuser (UGR <19) for glare control
- Integral control gear
- Stainless steel brackets and screws for mounting
- Down light distribution only
- Wireless control available through Bluetooth connection
- Daylight and occupancy sensor options

Optic

0

Product colour

01 - Black (RAL 9011)

03 - White (RAL 9003)

05 - Matt Silver (RAL 9006)

Special finishes upon request

SU01 - Concrete - Urban

SU02 - Softscape - Urban

SU03 - Stone - Urban

SU04 - Corten - Urban



SW01 - Oak - Woodland



SW02 - Walnut - Woodland



SW03 - Pine - Woodland

OULU 1 (OUL-80013)

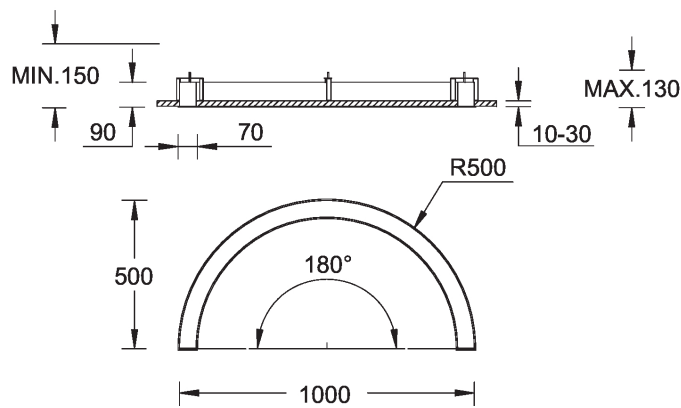
Technical information

Material	Aluminium
Light source	480 LED
Power	27 W
Lumen	956 lm
Efficacy	35 lm/W
Driver option	Integral control gear

Driver	Constant current (CC)
Input voltage	220-240 V 50/60 Hz
Optic	0
Optic value	Opal
CCT / CRI	RGBW40
Dimming type	Bluetooth

Product colours	Black, White, Matt Silver, Concrete - Urban, Softscape - Urban, Stone - Urban, Corten - Urban, Oak - Woodland, Walnut - Woodland, Pine - Woodland
Weight	4.0 kg
Operating temperature	-20 °C to 40 °C
Variants (Bluetooth)	Compatible with EN/ IEC 60598-2-22: Suitable for emergency installations as central supply, non-maintained (Z0)

OUL-80013



OULU 1 (OUL-80013)**Accessory**



Continuous-coupler bracket
A81781



Xpress wireless switch
A90591



DALI Control System
Control-DALI
