

TANGO 31 (TA-31883)



Product description

Ø186 - 288 mm - Down (Optic) & Up (Optic 2nd) - Round

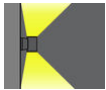


microPrim™

Luminaire Structure

- Die-cast aluminium housing and frame
- Pre-treated before powder coating ensuring high corrosion resistance
- Single cable entry
- Stainless steel fasteners in grade 304 with zinc flake coating (ZFC)
- Durable silicone rubber gasket
- Clear toughened glass
- High-efficiency optical reflector
- Integral control gear
- Optional surface mounting box for easy wiring or conduit connection when wiring from behind is not possible
- TANGO luminaires with uplight and colder than 3000K CCT do not meet the IDA certification requirements

Optic



AS / AS

Product colour



Special finishes upon request



TANGO 31 (TA-31883)

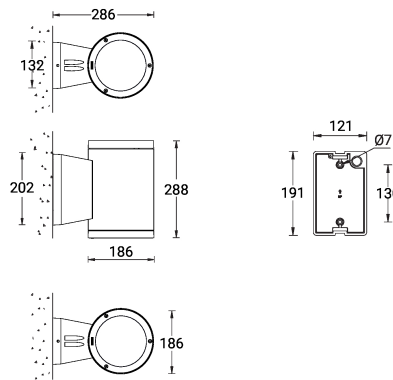
Technical information

Material	Aluminium
Light source	1 & 1 COB
Power	55 W
Lumen	5022 - 5286 lm
Efficacy	91 - 96 lm/W
Driver option	Integral control gear
Driver	Constant current (CC)
Input voltage	220-240 V 50/60 Hz

Optic	AS
Optic value	46°x56°
Optic (2nd)	AS
Optic (2nd) value	46°x56°
CCT / CRI	3000K CRI80, 4000K CRI80
ULR	50%
ULOR	50%
Dimming type	On/Off, 1-10V, DALI

Product colours	Black, Dark Grey, White, Matt Silver, Bronze, Concrete - Urban, Softscape - Urban, Stone - Urban, Corten - Urban, Oak - Woodland, Walnut - Woodland, Pine - Woodland
Weight	6.4 kg
Operating temperature	-20 °C to 40 °C
Through wiring	Single cable entry
Lens / Reflector / Optic	Clear toughened glass, High-efficiency optical reflector
Variants (1-10V, DALI)	Compatible with EN/ IEC 60598-2-22: Suitable for emergency installations as central supply, non-maintained (Z0)

TA-31883



TANGO 31 (TA-31883)**Accessory**



Surface mounting box for easy
cabling (TANGO 31)
SCE-TANGO-31



DALI Control System
Control-DALI
