

**LIGHT LINEAR VT 5 (VT-20022)**



**Product description**

1 side angular - Supplied with specific square, straight aluminium pole - Height options: 3 - 6 m



microVos microPrim™

**Luminaire Structure**

- Die-cast aluminium housing
- Extruded aluminium column
- Pre-treated before powder coating ensuring high corrosion resistance
- Single cable entry
- One cable gland supplied with 1 m of 3x1.0 sqmm outdoor cable
- Stainless steel fasteners in grade 304 with zinc flake coating (ZFC)
- Durable silicone rubber gasket
- Clear toughened glass
- High-efficiency PMMA lens
- Integral control gear
- Maximum wind load resistance is 120 km/h
- Surge protection 10kV

**Optic**

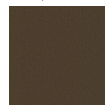


T1 T2 T3 T4

**Product colour**



01 - Black (RAL 9011) 02 - Dark Grey (RAL 7043) 03 - White (RAL 9003) 05 - Matt Silver (RAL 9006)



06 - Bronze (RAL 6014)

**Special finishes upon request**



SU01 - Concrete - Urban SU02 - Softscape - Urban SU03 - Stone - Urban SU04 - Corten - Urban



SW01 - Oak - Woodland



SW02 - Walnut - Woodland



SW03 - Pine - Woodland

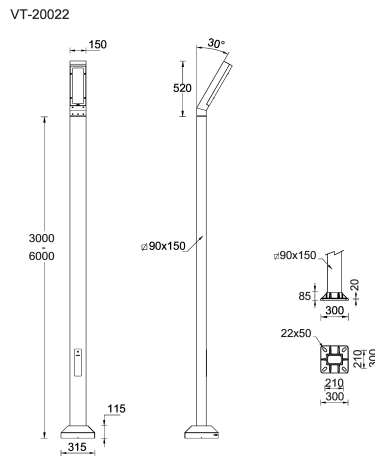
**LIGHT LINEAR VT 5 (VT-20022)**

**Technical information**

<b>Material</b>	Aluminium
<b>Light source</b>	2 x 12 LED
<b>Power</b>	81 W
<b>Lumen</b>	4422 - 6429 lm
<b>Efficacy</b>	55 - 79 lm/W
<b>Driver option</b>	Integral control gear
<b>Driver</b>	Constant current (CC)
<b>Input voltage</b>	220-240 V 50/60 Hz
<b>Optic</b>	T1, T2, T3, T4
<b>Optic value</b>	113°x49°, 130°x45°, 104°x57°, 44°x21°

<b>CCT / CRI</b>	3000K CRI80, 4000K CRI80
<b>Bug</b>	B0-U2-G1, B1-U2-G1
<b>ULR</b>	1%
<b>ULOR</b>	1%
<b>CIE flux code n°3</b>	96, 97, 98
<b>Dimming type</b>	On/Off, 1-10V, DALI
<b>Product colours</b>	Black, Dark Grey, White, Matt Silver, Bronze, Concrete - Urban, Softscape - Urban, Stone - Urban, Corten - Urban, Oak - Woodland, Walnut - Woodland, Pine - Woodland
<b>Weight</b>	25.2 kg
<b>Operating temperature</b>	-20 °C to 50 °C
<b>EPA (m2)</b>	0.078

<b>Cable</b>	One cable gland supplied with 1 m of 3x1.0 sqmm outdoor cable
<b>Through wiring</b>	Single cable entry
<b>Lens / Reflector / Optic</b>	Clear toughened glass, High-efficiency PMMA lens
<b>MacAdam Ellipse</b>	3 SDCM
<b>Lifetime L90B10 (hours)</b>	> 90,000
<b>Lifetime L80B10 (hours)</b>	> 90,000
<b>Lifetime L80B50 (hours)</b>	> 90,000
<b>Variants (On/Off, 1-10V, DALI)</b>	Compatible with EN/ IEC 60598-2-22: Suitable for emergency installations as central supply, non-maintained (Z0)



**LIGHT LINEAR VT 5 (VT-20022)****Accessory**

Root mount kit  
**A20891**



Circuit breaker box IP44  
**A21291**



Internal cable support for pole 3  
m  
**A23991**



Internal cable support for pole 4  
m  
**A24091**



Internal cable support for pole 5  
m  
**A24191**



Internal cable support for pole 6  
m  
**A24291**



DALI Control System  
**Control-DALI**

**Pole (required)**

3 m - Square, straight aluminium  
pole for LIGHT LINEAR VT  
**APC130090-VT**



4 m - Square, straight aluminium  
pole for LIGHT LINEAR VT  
**APC140090-VT**