

BILLUND 3 (BIU-90022-LC)



Product description

Large - LIGHTCONNECT™



Luminaire Structure

- Die-cast aluminium housing
- Pre-treated before powder coating ensuring high corrosion resistance
- Thermal heat dissipation body
- Single cable entry
- One IP68 connector supplied with 0.3 m of 3x1.0 sqmm outdoor cable
- Stainless steel fasteners in grade 304 with zinc flake coating (ZFC)
- Durable silicone rubber gasket
- Clear toughened glass
- High-efficiency polycarbonate lens
- Integral control gear
- Surge protection 10kV
- Constant lumen output (CLO) and Night-time dimming options

Optic



Product colour



Special finishes upon request



BILLUND 3 (BIU-90022-LC)

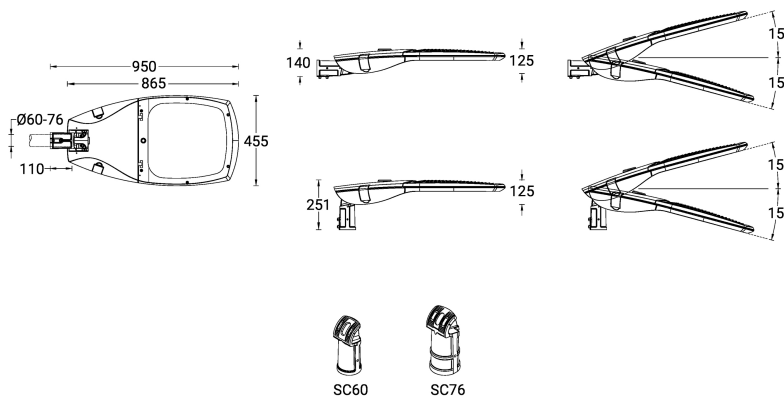
Technical information

Material	Aluminium
Light source	96 LED
Power	174 W
Lumen	20922 - 26426 lm
Efficacy	120 - 152 lm/W
Driver option	Integral control gear
Driver	Constant current (CC)
Input voltage	220-240 V 50/60 Hz

Optic	T1, T2, T3, T4, T5
Optic value	138°x125°, 140°x63°, 133°x66°, 111°x65°, 92°x121°
CCT / CRI	2700K CRI70, 3000K CRI70, 4000K CRI70
Bug	B3-U0-G2, B3-U0-G3, B4-U0-G4, B5-U0-G0, B5-U0-G1
ULR	<1%
ULOR	<1%
CIE flux code n°3	100, 96, 97
Dimming type	DALI

Product colours	Black, Dark Grey, White, Matt Silver, Bronze, Concrete - Urban, Softscape - Urban, Stone - Urban, Corten - Urban, Oak - Woodland, Walnut - Woodland, Pine - Woodland
Weight	14.3 kg
Operating temperature	-20 °C to 40 °C
EPA (m2)	0.087
Cable	One IP68 connector supplied with 0.3 m of 3x1.0 sqmm outdoor cable
Through wiring	Single cable entry
Lens / Reflector / Optic	Clear toughened glass, High-efficiency polycarbonate lens
Variants (DALI)	Compatible with EN/ IEC 60598-2-22: Suitable for emergency installations as central supply, non-maintained (Z0)

BIU-90022



BILLUND 3 (BIU-90022-LC)**Accessory**

NEMA 7 socket
A90891



Zhaga Book 18 socket (Up)
A90991-U



Motion sensor - PIR - DALI - Up
to 3 m
A91691-L2



Motion sensor - PIR - DALI - Up
to 12 m
A91691-L7



Zhaga Book 18 socket (Down)
A90991-D



DALI Control System
Control-DALI