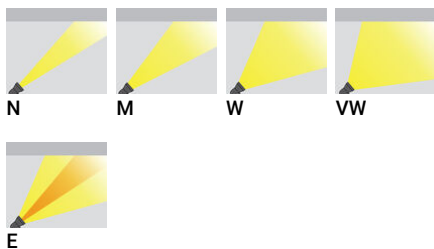


FUNEN 4 (FUN-50031) (Version 1)**Product description**

Without remote box IP-rated - With remote driver -
Constant current (CC) 1400 mA

**Luminaire Structure**

- Stainless steel body in grade 316
- Single cable entry
- One cable gland supplied with 2 m of 2x1.0 sqmm outdoor cable
- Stainless steel fasteners in grade 316
- Durable silicone rubber gasket
- Clear toughened glass
- Remote driver (included)
- Remote box IP-rated is not included and is to be ordered separately for constant current (CC) products
- Luminaire must be submerged when operational
- Maximum depth 2 m
- Outdoor cable needs to be ordered with a specific length
- Maximum distance of the Remote DMX/RDM decoder is 8 m

Optic**Product colour**

00 - Stainless Steel

FUNEN 4 (FUN-50031) (Version 1)

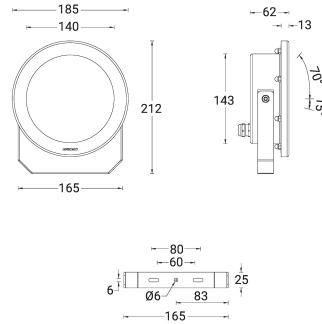
Technical information

| | |
|----------------------|--------------------------|
| Material | Stainless Steel |
| Light source | 16 LED |
| Power | 39 W |
| Lumen | 3172 - 4416 lm |
| Efficacy | 81 - 113 lm/W |
| Driver option | Remote driver (included) |
| Driver | Constant current (CC) |
| Input voltage | 2670 mA, 12 VDC |

| | |
|--------------------------|-----------------------------|
| Optic | N, M, W, VW, E |
| Optic value | 10°, 16°, 32°, 71°, 11°x43° |
| CCT / CRI | 3000K CRI80, 4000K CRI80 |
| Bug | B2-U0-G0, B3-U0-G0 |
| ULR | <1% |
| ULOR | <1% |
| CIE flux code n°3 | 100 |
| Dimming type | On/Off, 1-10V |

| | |
|---------------------------------|---|
| Product colours | Stainless Steel |
| Weight | 2.4 kg |
| Operating temperature | -20 °C to 40 °C |
| Cable | One cable gland supplied with 2 m of 2x1.0 sqmm outdoor cable |
| Through wiring | Single cable entry |
| Lens / Reflector / Optic | Clear toughened glass |

FUN-50031



FUNEN 4 (FUN-50031) (Version 1)**Accessory**



Honeycomb louvre
A52521



Remote box IP65
A61851
