

**LBX 4** (LB-40447) (Version 1)



**Product description**

Without remote driver (CV) - With spring clamp - Constant voltage (CV) 24 V - Class III



**Luminaire Structure**

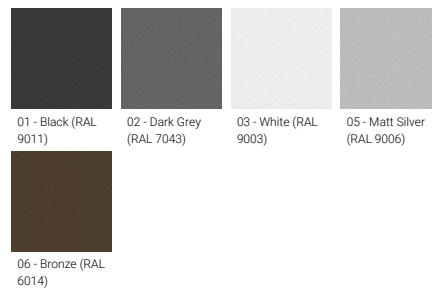
- Die-cast aluminium housing
- Pre-treated before powder coating ensuring high corrosion resistance
- Single cable entry
- One cable gland supplied with 0.3 m of 3x0.5 sqmm outdoor cable
- Stainless steel fasteners in grade 304 with zinc flake coating (ZFC)
- Durable silicone rubber gasket
- Clear toughened glass
- Remote driver (not included)
- Recessing box is included

**Optic**

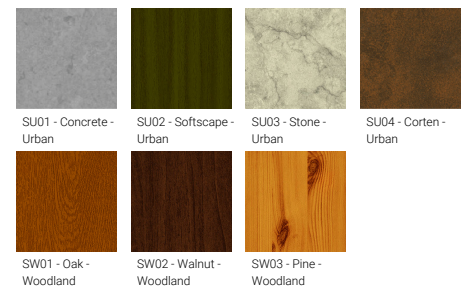


G

**Product colour**



**Special finishes upon request**

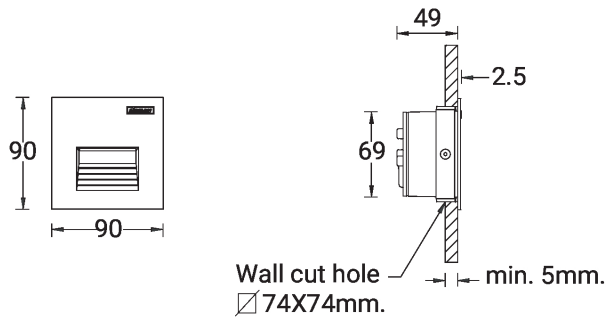


**LBX 4** (LB-40447) (Version 1)

**Technical information**

<b>Material</b>	Aluminium	<b>Optic value</b>	34° x 68°	<b>Cable</b>	One cable gland supplied with 0.3 m of 3x0.5 sqmm outdoor cable
<b>Light source</b>	1 LED	<b>CCT / CRI</b>	3000K CRI80, 4000K CRI80	<b>Through wiring</b>	Single cable entry
<b>Power</b>	2 W	<b>ULR</b>	4%	<b>Lens / Reflector / Optic</b>	Clear toughened glass
<b>Lumen</b>	39 lm	<b>ULOR</b>	4%	<b>MacAdam Ellipse</b>	3 SDCM
<b>Efficacy</b>	20 lm/W	<b>CIE flux code n°3</b>	97	<b>Lifetime L90B10 (hours)</b>	> 120,000
<b>Driver option</b>	Remote driver (not included)	<b>Dimming type</b>	On/Off	<b>Lifetime L80B10 (hours)</b>	> 120,000
<b>Driver</b>	Constant voltage (CV)	<b>Product colours</b>	Black, Dark Grey, White, Matt Silver, Bronze, Concrete - Urban, Softscape - Urban, Stone - Urban, Corten - Urban, Oak - Woodland, Walnut - Woodland, Pine - Woodland	<b>Lifetime L80B50 (hours)</b>	> 120,000
<b>Input voltage</b>	24 VDC			<b>Weight</b>	0.3 kg
<b>Optic</b>	G	<b>Operating temperature</b>	-20 °C to 40 °C		

**LB-40447**



**LBX 4** (LB-40447) (Version 1)**Accessory**

---



---

Remote box IP65  
**A80191**

---



---

Driver (CV) - On/Off - 36 W - IP67  
- 24 V  
**A34491-ND**

---



---

Driver (CV) - On/Off - 60 W - IP67  
- 24 V  
**A34591-ND**

---



---

Driver (CV) - On/Off - 100 W -  
IP67 - 24 V  
**A34791-ND**

---



---

Driver (CV) - On/Off - 150 W -  
IP67 - 24 V  
**A34891-ND**

---



---

Driver (CV) - On/Off - 200 W -  
IP67 - 24 V  
**A34991-ND**

---



---

Driver (CV) - On/Off - 350 W -  
IP67 - 24 V  
**A35091-ND**

---