

**PITTSBURGH 3** (PIB-50022) (Version 1)



**Product description**

Large

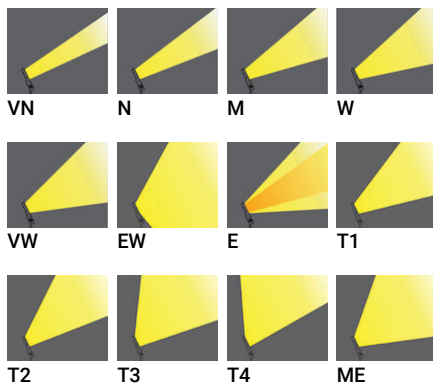


microPrim™

**Luminaire Structure**

- Extruded aluminium housing
- Pre-treated before powder coating ensuring high corrosion resistance
- Galvanized steel arm mounted
- Thermal heat dissipation body
- Single cable entry, through wiring upon request
- One IP68 connector supplied with 0.2 m of 3x1.0 sqmm outdoor cable
- Stainless steel fasteners in grade 304 with zinc flake coating (ZFC)
- Durable silicone rubber gasket
- High-efficiency polycarbonate lens
- Clear toughened glass
- Integral control gear
- Surge protection 10kV

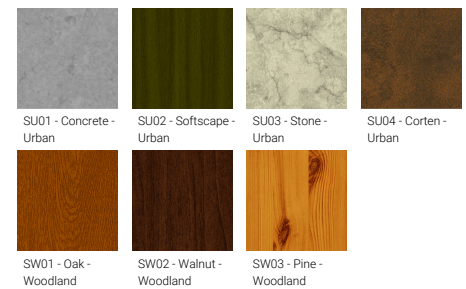
**Optic**



**Product colour**



**Special finishes upon request**



**PITTSBURGH 3** (PIB-50022) (Version 1)

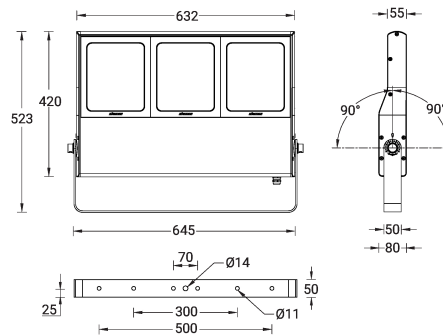
**Technical information**

<b>Material</b>	Aluminium
<b>Light source</b>	3 x 36 LED
<b>Power</b>	170 W
<b>Lumen</b>	15265 - 25161 lm
<b>Efficacy</b>	90 - 148 lm/W
<b>Driver option</b>	Integral control gear
<b>Driver</b>	Constant current (CC)
<b>Input voltage</b>	220-240V 50/60Hz
<b>Optic</b>	VN, N, M, W, VW, EW, E, T1, T2, T3, T4, ME

<b>Optic value</b>	5°, 12°, 25°, 53°, 65°, 106°, 94°x28°, 145°x67°, 137°x40°, 132°x32°, 94°x64°, 124°x60°
<b>CCT / CRI</b>	3000K CRI80, 4000K CRI80
<b>Bug</b>	B2-U0-G2, B3-U0-G2, B3-U0-G3, B4-U0-G1, B5-U0-G0, B5-U0-G1, B5-U0-G2
<b>ULR</b>	<1%
<b>ULOR</b>	<1%
<b>CIE flux code n°3</b>	100, 98, 99
<b>Dimming type</b>	On/Off, 1-10V, DALI
<b>Product colours</b>	Black, Dark Grey, White, Matt Silver, Bronze, Concrete - Urban, Softscape - Urban, Stone - Urban, Corten - Urban, Oak - Woodland, Walnut - Woodland, Pine - Woodland
<b>Weight</b>	16.0 kg

<b>Operating temperature</b>	-20 °C to 50 °C
<b>EPA (m2)</b>	0.280
<b>Cable</b>	One IP68 connector supplied with 0.2 m of 3x1.0 sqmm outdoor cable
<b>Through wiring</b>	Single cable entry, through wiring upon request
<b>Lens / Reflector / Optic</b>	High-efficiency polycarbonate lens, Clear toughened glass
<b>MacAdam Ellipse</b>	3 SDCM
<b>Lifetime L90B10 (hours)</b>	> 120,000
<b>Variants (On/Off, 1-10V, DALI)</b>	Compatible with EN/ IEC 60598-2-22: Suitable for emergency installations as central supply, non-maintained (Z0)

PIB-50022



**Accessory**

---



---

Anti-glare visor  
**A55131**

---



---

Anti-glare louvre  
**A55231**

---

Please contact the factory for technical details if you wish to use Anti-glare accessories, Colour filters, Lenses and slip glasses in combination.