

MACARON 5 (MC-10011)



Product description

Ø102 - 1000 mm - 500 mA



microPrim™



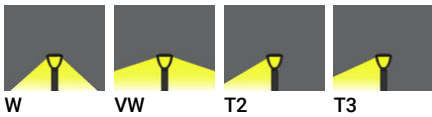
Luminaire Structure

- Die-cast aluminium housing and frame
- Pre-treated before powder coating ensuring high corrosion resistance
- Extruded aluminium column
- Customised dimensions are available as standard upon request

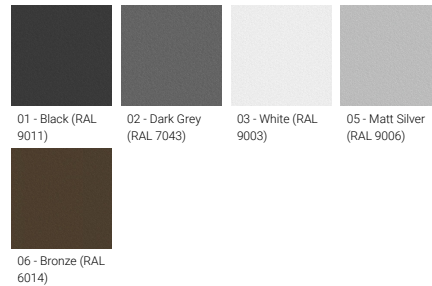
- Single cable entry
- One IP68 connector supplied with 0.2 m of 3x1.0 sqmm outdoor cable
- Stainless steel fasteners in grade 304 with zinc flake coating (ZFC)
- Durable silicone rubber gasket

- Clear toughened glass
- High-efficiency PMMA lens
- Integral control gear

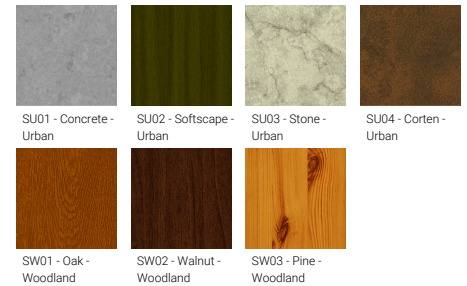
Optic



Product colour



Special finishes upon request



MACARON 5 (MC-10011)

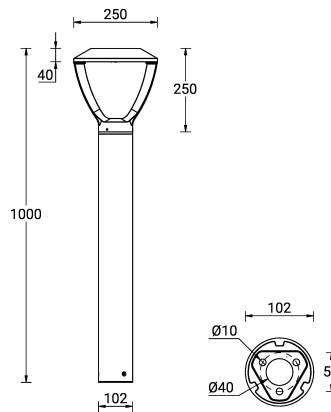
Technical information

Material	Aluminium
Light source	28 LED
Power	22 W
Lumen	2050 - 2854 lm
Efficacy	93 - 130 lm/W
Driver option	Integral control gear
Driver	Constant current (CC)
Input voltage	220-240 V 50/60 Hz

Optic	W, VW, T2, T3
Optic value	77°x99°, 120°x140°, 122°x59°, 123°x59°
CCT / CRI	3000K CRI80, 4000K CRI80
Bug	B1-U0-G1
ULR	<1%
ULOR	<1%
CIE flux code n°3	95, 96, 97
Dimming type	On/Off, DALI

Product colours	Black, Dark Grey, White, Matt Silver, Bronze, Concrete - Urban, Softscape - Urban, Stone - Urban, Corten - Urban, Oak - Woodland, Walnut - Woodland, Pine - Woodland
Weight	5.3 kg
Operating temperature	-20 °C to 50 °C
Cable	One IP68 connector supplied with 0.2 m of 3x1.0 sqmm outdoor cable
Through wiring	Single cable entry
Lens / Reflector / Optic	Clear toughened glass, High-efficiency PMMA lens
Variants (On/Off, DALI)	Compatible with EN/ IEC 60598-2-22: Suitable for emergency installations as central supply, non-maintained (Z0)

MC-10011



MACARON 5 (MC-10011)

Accessory



Anchor bolt
A10791



DALI Control System
Control-DALI