

MIC 3 (MI-21071)



Product description

Indirect - 2 sides

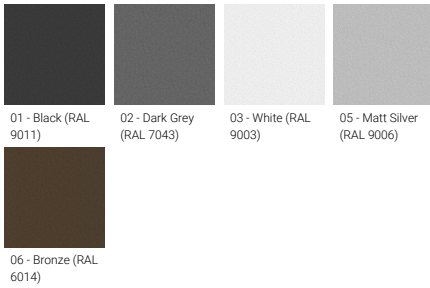


microPrim™

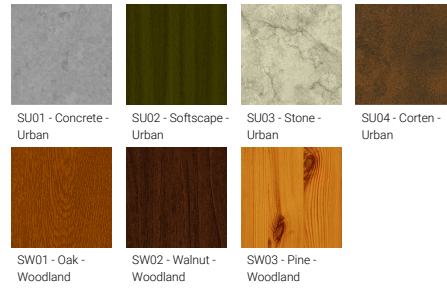
Luminaire Structure

- Die-cast aluminium housing
- Pre-treated before powder coating ensuring high corrosion resistance
- Extruded aluminium column
- Stainless steel fasteners in grade 304 with zinc flake coating (ZFC)
- Durable silicone rubber gasket
- Clear toughened glass
- Integral control gear
- Integral control gear installed in the spigot cover post top

Product colour



Special finishes upon request



MIC 3 (MI-21071)

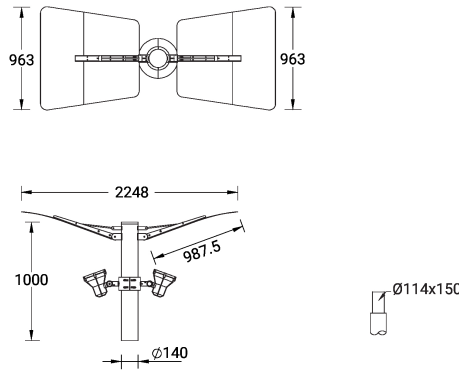
Technical information

Material	Aluminium
Light source	2 x 24 LED
Power	80 W
Lumen	4296 - 4806 lm
Efficacy	54 - 60 lm/W
Driver option	Integral control gear
Driver	Constant current (CC)
Input voltage	220-240 V 50/60 Hz
Optic	G

Optic value	111°x 98°
CCT / CRI	3000K CRI80, 4000K CRI80
Bug	B1-U3-G1
ULR	11%
ULOR	11%
CIE flux code n°3	91
Dimming type	On/Off, 1-10V, DALI
Product colours	Black, Dark Grey, White, Matt Silver, Bronze, Concrete - Urban, Softscape - Urban, Stone - Urban, Corten - Urban, Oak - Woodland, Walnut - Woodland, Pine - Woodland
Weight	47.4 kg

Operating temperature	-20 °C to 40 °C
Lens / Reflector / Optic	Clear toughened glass
MacAdam Ellipse	3 SDCM
Lifetime L90B10 (hours)	> 120,000
Lifetime L80B10 (hours)	> 120,000
Lifetime L80B50 (hours)	> 120,000
Variants (1-10V, DALI)	Compatible with EN/ IEC 60598-2-22: Suitable for emergency installations as central supply, non-maintained (Z0)

MI-21071



MIC 3 (MI-21071)

Accessory



DALI Control System
Control-DALI
