

**ODESSA 18 (OD-80033)**



**Product description**

Large



**Luminaire Structure**

- Die-cast aluminium housing
- Pre-treated before powder coating ensuring high corrosion resistance
- Single cable entry, through wiring upon request

- One cable gland supplied with 0.2 m of 3x1.0 sqmm outdoor cable
- Stainless steel fasteners in grade 304 with zinc flake coating (ZFC)
- Durable silicone rubber gasket

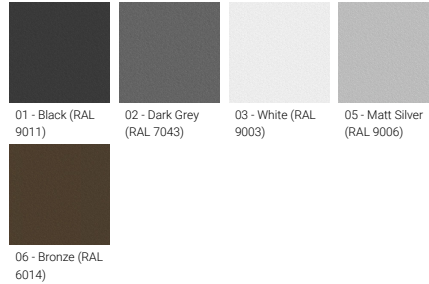
- Clear toughened glass
- Integral control gear

**Optic**

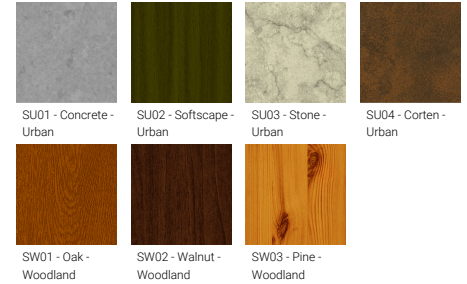


VN

**Product colour**



**Special finishes upon request**



**ODESSA 18 (OD-80033)**

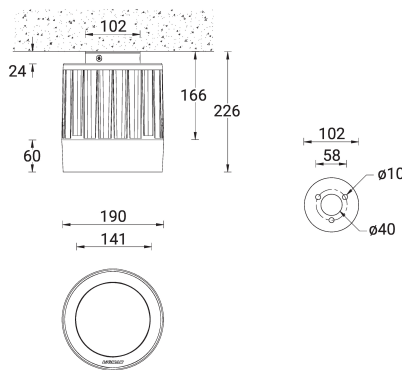
**Technical information**

<b>Material</b>	Aluminium
<b>Light source</b>	7 LED
<b>Power</b>	45 W
<b>Lumen</b>	4290 - 4607 lm
<b>Efficacy</b>	95 - 102 lm/W
<b>Driver option</b>	Integral control gear
<b>Driver</b>	Constant current (CC)
<b>Input voltage</b>	220-240 V 50/60 Hz
<b>Optic</b>	VN

<b>Optic value</b>	8°
<b>CCT / CRI</b>	2700K CRI80, 3000K CRI80, 4000K CRI80
<b>Bug</b>	B3-U0-G0
<b>ULR</b>	<1%
<b>ULOR</b>	<1%
<b>CIE flux code n°3</b>	100
<b>Dimming type</b>	On/Off, 1-10V, DALI
<b>Product colours</b>	Black, Dark Grey, White, Matt Silver, Bronze, Concrete - Urban, Softscape - Urban, Stone - Urban, Corten - Urban, Oak - Woodland, Walnut - Woodland, Pine - Woodland
<b>Weight</b>	6.4 kg

<b>Operating temperature</b>	-20 °C to 40 °C
<b>Cable</b>	One cable gland supplied with 0.2 m of 3x1.0 sqmm outdoor cable
<b>Through wiring</b>	Single cable entry, through wiring upon request
<b>Lens / Reflector / Optic</b>	Clear toughened glass
<b>MacAdam Ellipse</b>	3 SDCM
<b>Lifetime L90B10 (hours)</b>	> 109,000
<b>Lifetime L80B10 (hours)</b>	> 109,000
<b>Lifetime L80B50 (hours)</b>	> 109,000
<b>Variants (On/Off, 1-10V, DALI)</b>	Compatible with EN/ IEC 60598-2-22: Suitable for emergency installations as central supply, non-maintained (Z0)

OD-80033



**ODESSA 18 (OD-80033)****Accessory**

---



---

Anti glare visor  
**A54431**

---



---

Anti glare louvre  
**A54631**

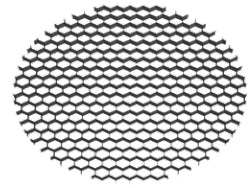
---



---

Linear spread lens  
**A51814**

---



---

Honeycomb louvre  
**A54121**

---



---

DALI Control System  
**Control-DALI**

---

Please contact the factory for technical details if you wish to use Anti-glare accessories, Colour filters, Lenses and slip glasses in combination.