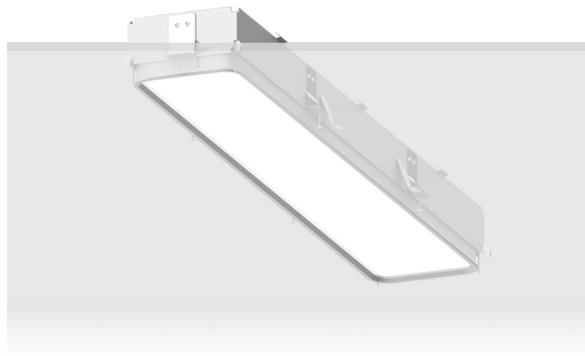


PITTSFIELD 2 (PIT-80115)



Product description

Down - Trimless - 1060 mm - RGBW DMX



microPrim™

Luminaire Structure

- Extruded aluminium bended profile with powder coating
- Passive thermal management
- Stainless steel fasteners in grade 304 with zinc flake coating (ZFC)
- PMMA diffuser with Opal (UGR <19) and micro prismatic (UGR <13) options for better glare control

- Integral control gear
- Stainless steel brackets and screws for mounting
- Down light distribution only
- Wireless control available through Bluetooth connection

- Daylight and occupancy sensor options
- Emergency module (1 or 3 hours) is available upon request with 3 options (BASIC, SELF-TEST, PRO-DALI)

Optic



Product colour



01 - Black (RAL 9011) 03 - White (RAL 9003) 05 - Matt Silver (RAL 9006)

Special finishes upon request



SU01 - Concrete - Urban SU02 - Softscape - Urban SU03 - Stone - Urban SU04 - Corten - Urban



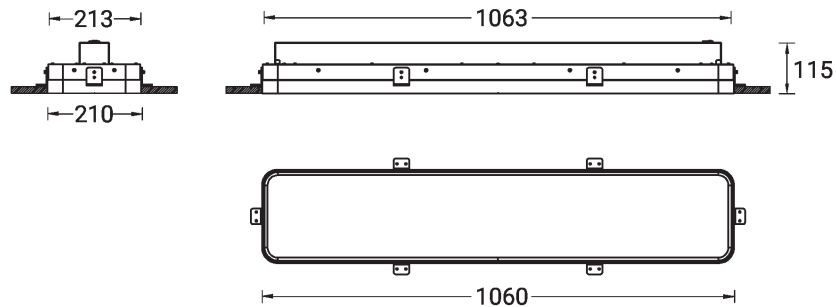
SW01 - Oak - Woodland SW02 - Walnut - Woodland SW03 - Pine - Woodland

PITTSFIELD 2 (PIT-80115)

Technical information

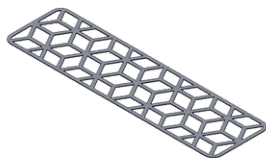
Material	Aluminium	Input voltage	220-240 V 50/60 Hz	MacAdam Ellipse	3 SDCM
Light source	1728 LED	Optic	O, P	Lifetime L90B10 (hours)	> 23,000
Power	54 W	CCT / CRI	RGBW40	Lifetime L80B10 (hours)	> 45,000
Lumen	1905 lm	Dimming type	DMX, DMX/RDM	Lifetime L80B50 (hours)	> 50,000
Efficacy	54 lm/W	Product colours	Black, White, Matt Silver, Concrete - Urban, Softscape - Urban, Stone - Urban, Corten - Urban, Oak - Woodland, Walnut - Woodland, Pine - Woodland	Variants (DMX)	Compatible with EN/ IEC 60598-2-22: Suitable for emergency installations as central supply, non- maintained (Z0)
Driver option	Integral control gear				
Driver	Constant current (CC)				
		Weight	5.1 kg		
		Operating temperature	-20 °C to 40 °C		

PIT-80115

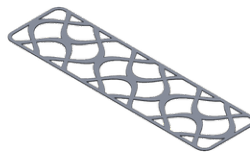


PITTSFIELD 2 (PIT-80115)**Accessory**

Decorative pattern - Type A for
PITTSFIELD 720 mm
A91921



Decorative pattern - Type B for
PITTSFIELD 720 mm
A93321



Decorative pattern - Type C for
PITTSFIELD 720 mm
A94721



DMX Control System
Control-DMX



DMX/RDM Control System
Control-DMX-RDM