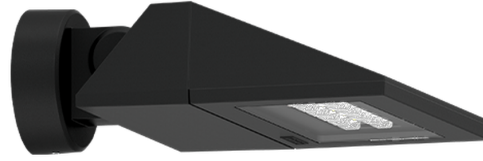


**VEKTER 9 (VK-30021)**



**Product description**

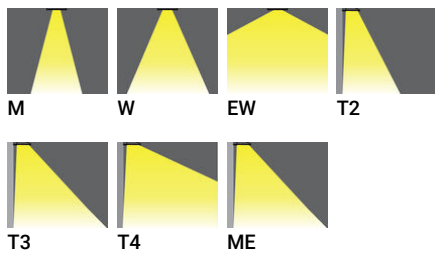
Mounting box - Medium



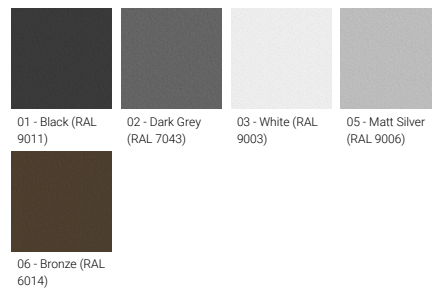
**Luminaire Structure**

- Die-cast aluminium housing and frame
- Pre-treated before powder coating ensuring high corrosion resistance
- Two cable entries for through wiring
- Stainless steel fasteners in grade 304 with zinc flake coating (ZFC)
- Durable silicone rubber gasket
- Clear toughened glass
- High-efficiency PMMA lens
- Integral control gear
- Optional surface mounting box for easy wiring or conduit connection when wiring from behind is not possible

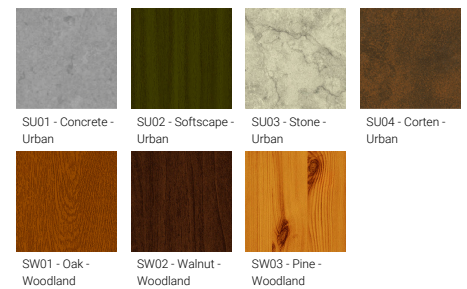
**Optic**



**Product colour**



**Special finishes upon request**



**VEKTER 9 (VK-30021)**

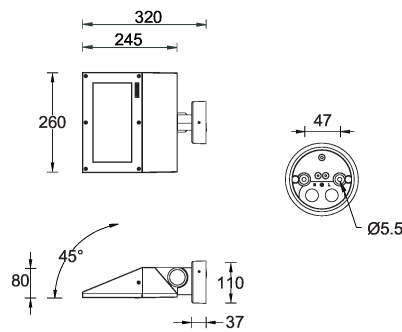
**Technical information**

<b>Material</b>	Aluminium
<b>Light source</b>	12 LED
<b>Power</b>	20 W
<b>Lumen</b>	2330 - 2732 lm
<b>Efficacy</b>	123 - 144 lm/W
<b>Driver option</b>	Integral control gear
<b>Driver</b>	Constant current (CC)
<b>Input voltage</b>	220-240 V 50/60 Hz
<b>Optic</b>	M, W, EW, T2, T3, T4, ME

<b>Optic value</b>	30°, 56°, 109°, 139°x60°, 123°x87°, 106°x72°, 140°x62°
<b>CCT / CRI</b>	2700K CRI80, 3000K CRI80, 4000K CRI80
<b>Bug</b>	B1-U0-G0, B1-U0-G1, B2-U0-G0
<b>ULR</b>	<1%
<b>ULOR</b>	<1%
<b>CIE flux code n°3</b>	97, 99
<b>Dimming type</b>	On/Off, 1-10V, DALI
<b>Product colours</b>	Black, Dark Grey, White, Matt Silver, Bronze, Concrete - Urban, Softscape - Urban, Stone - Urban, Corten - Urban, Oak - Woodland, Walnut - Woodland, Pine - Woodland
<b>Weight</b>	4.6 kg

<b>Operating temperature</b>	-20 °C to 50 °C
<b>Through wiring</b>	Two cable entries for through wiring
<b>Lens / Reflector / Optic</b>	Clear toughened glass, High-efficiency PMMA lens
<b>MacAdam Ellipse</b>	3 SDCM
<b>Lifetime L90B10 (hours)</b>	> 90,000
<b>Lifetime L80B10 (hours)</b>	> 90,000
<b>Lifetime L80B50 (hours)</b>	> 90,000
<b>Variants (On/Off, 1-10V, DALI)</b>	Compatible with EN/ IEC 60598-2-22: Suitable for emergency installations as central supply, non-maintained (Z0)

**VK-30021**



**VEKTER 9** (VK-30021)**Accessory**

---



---

Surface mounting box for easy  
cabling (VEKTER 9)  
**SCE-VEKTER-9**

---