

**YORK 3 (YOK-80021)****Product description**

600x600 mm - Micro prismatic cover

**Luminaire Structure**

- Formed sheet steel body with powder coating
- White painted metal sheet
- UV & flame resistant, chemical & salt stable PVC
- Stainless steel fasteners in grade 304 with zinc flake coating (ZFC)
- Micro prismatic, opal, perforated cover and double parabolic louvre options
- Integral control gear

**Product colour**

**YORK 3 (YOK-80021)**

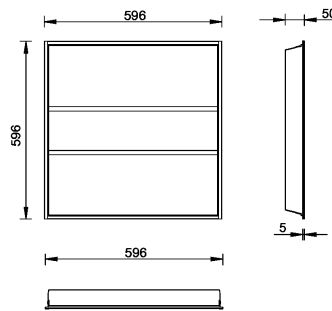
**Technical information**

<b>Material</b>	Aluminium
<b>Light source</b>	2 x 91 LED
<b>Power</b>	49 W
<b>Lumen</b>	4300 lm
<b>Efficacy</b>	88 lm/W
<b>Driver option</b>	Integral control gear
<b>Driver</b>	Constant current (CC)

<b>Input voltage</b>	220-240 V 50/60 Hz
<b>Optic</b>	G
<b>Optic value</b>	104°
<b>CCT / CRI</b>	4000K CRI80
<b>Bug</b>	B2-U1-G1
<b>ULR</b>	<1%
<b>ULOR</b>	<1%

<b>CIE flux code n°3</b>	96
<b>Dimming type</b>	On/Off, DALI
<b>Product colours</b>	White
<b>Weight</b>	4.0 kg
<b>Operating temperature</b>	-20 °C to 40 °C
<b>Variants (On/Off, DALI)</b>	Compatible with EN/ IEC 60598-2-22: Suitable for emergency installations as central supply, non-maintained (Z0)

YOK-80021



**YORK 3** (YOK-80021)

**Accessory**

---



DALI Control System  
**Control-DALI**

---