

AUSTIN 1 (AU-30601)



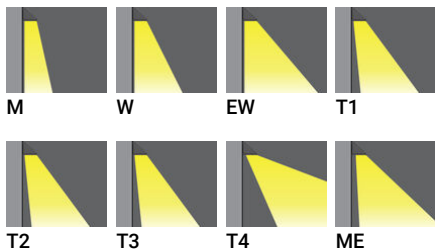
Luminaire Structure

- Die-cast aluminium housing and frame
- Pre-treated before powder coating ensuring high corrosion resistance
- Two cable entries for through wiring

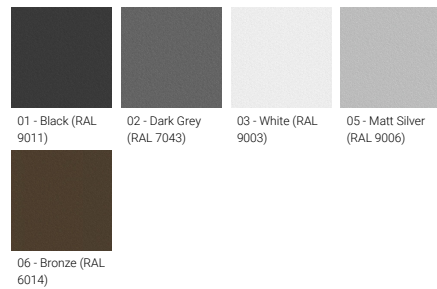
- Stainless steel fasteners in grade 304 with zinc flake coating (ZFC)
- Durable silicone rubber gasket
- High-efficiency PMMA lens

- Clear toughened glass
- Integral control gear

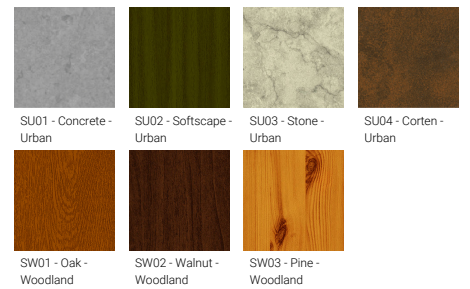
Optic



Product colour



Special finishes upon request

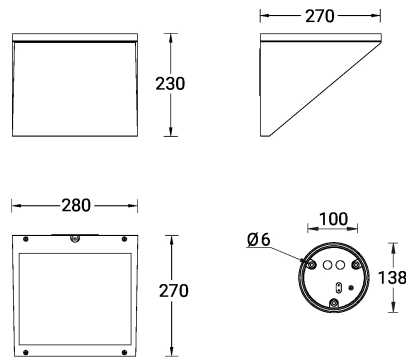


AUSTIN 1 (AU-30601)

Technical information

Material	Aluminium	Optic value	30°, 56°, 120°, 130°x36°, 142°x36°, 148°x75°, 122°x84°, 148°x65°	Operating temperature	-20 °C to 40 °C
Light source	24 LED	CCT / CRI	3000K CRI80, 4000K CRI80	Through wiring	Two cable entries for through wiring
Power	37 W	Bug	B1-U0-G1, B2-U0-G0, B2-U0-G2, B3-U0-G0, B3-U0-G1, B3-U0-G3	Lens / Reflector / Optic	High-efficiency PMMA lens, Clear toughened glass
Lumen	4455 - 5120 lm	ULR	<1%	MacAdam Ellipse	3 SDCM
Efficacy	120 - 138 lm/W	ULOR	<1%	Lifetime L90B10 (hours)	> 90,000
Driver option	Integral control gear	CIE flux code n°3	96, 97, 98, 99	Lifetime L80B10 (hours)	> 90,000
Driver	Constant current (CC)	Dimming type	On/Off, 1-10V, DALI	Lifetime L80B50 (hours)	> 90,000
Input voltage	220-240 V 50/60 Hz	Product colours	Black, Dark Grey, White, Matt Silver, Bronze, Concrete - Urban, Softscape - Urban, Stone - Urban, Corten - Urban, Oak - Woodland, Walnut - Woodland, Pine - Woodland	Variants (On/Off, 1-10V)	Compatible with EN/ IEC 60598-2-22: Suitable for emergency installations as central supply, non-maintained (Z0)
Optic	M, W, EW, T1, T2, T3, T4, ME	Weight	5.9 kg		

AU-30601



AUSTIN 1 (AU-30601)

Accessory



DALI Control System
Control-DALI
