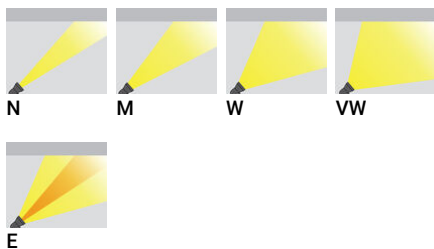
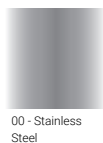


FUNEN 3 (FUN-50021) (Version 1)**Product description**

Without remote box IP-rated - With remote driver -
Constant current (CC) 2100 mA

**Luminaire Structure**

- Stainless steel body in grade 316
- Single cable entry
- One cable gland supplied with 2 m of 2x1.0 sqmm outdoor cable
- Stainless steel fasteners in grade 316
- Durable silicone rubber gasket
- Clear toughened glass
- Remote driver (included)
- Remote box IP-rated is not included and is to be ordered separately for constant current (CC) products
- Luminaire must be submerged when operational
- Maximum depth 2 m
- Outdoor cable needs to be ordered with a specific length
- Maximum distance of the Remote DMX/RDM decoder is 8 m

Optic**Product colour**

00 - Stainless Steel

FUNEN 3 (FUN-50021) (Version 1)

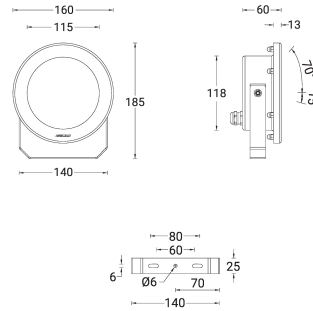
Technical information

Material	Stainless Steel
Light source	9 LED
Power	23 W
Lumen	1923 - 2437 lm
Efficacy	84 - 106 lm/W
Driver option	Remote driver (included)
Driver	Constant current (CC)
Input voltage	2100 mA, 9 VDC

Optic	N, M, W, VW, E
Optic value	11°, 17°, 32°, 71°, 14°x43°
CCT / CRI	3000K CRI80, 4000K CRI80
Bug	B2-U0-G0, B3-U0-G0
ULR	<1%
ULOR	<1%
CIE flux code n°3	100
Dimming type	On/Off, 1-10V

Product colours	Stainless Steel
Weight	1.4 kg
Operating temperature	-20 °C to 40 °C
Cable	One cable gland supplied with 2 m of 2x1.0 sqmm outdoor cable
Through wiring	Single cable entry
Lens / Reflector / Optic	Clear toughened glass

FUN-50021



FUNEN 3 (FUN-50021) (Version 1)**Accessory**



Honeycomb louvre
A52421



Remote box IP65
A80291
