

KWH 7 (KWH-50001)



Product description

Small - 1 head

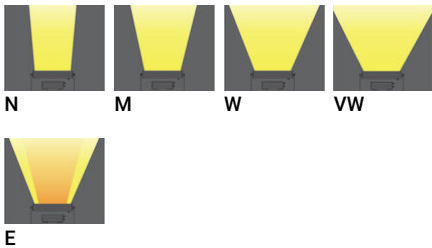


microVos microPrim™

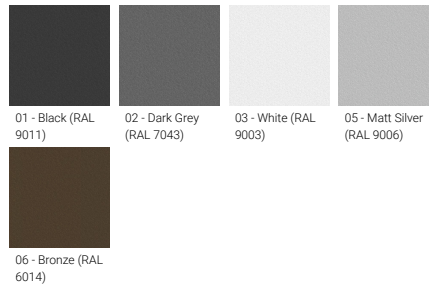
Luminaire Structure

- Die-cast aluminium end-caps
- Extruded aluminium housing
- Pre-treated before powder coating ensuring high corrosion resistance
- Thermal heat dissipation body
- Single or double head configuration for all three sizes
- Each of the heads can be aimed, adjusted and locked for precise aiming
- Single cable entry, through wiring upon request
- One IP68 connector supplied with 0.2 m of 3x1.0 sqmm outdoor cable
- Stainless steel fasteners in grade 304 with zinc flake coating (ZFC)
- Durable silicone rubber gasket
- Clear toughened glass
- High-efficiency PMMA lens
- Integral control gear
- Hot-dipped galvanised steel mounting bracket allows for ceiling, wall or surface mounting

Optic



Product colour



Special finishes upon request



KWH 7 (KWH-50001)

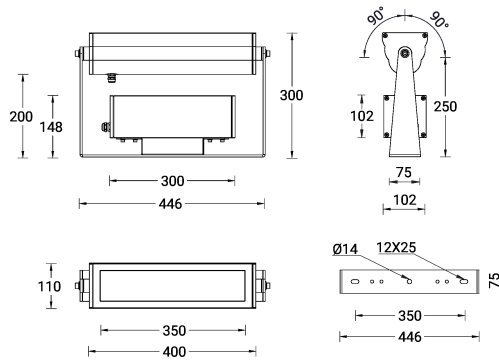
Technical information

Material	Aluminium
Light source	4 x 9 LED
Power	47 W
Lumen	4874 - 5915 lm
Efficacy	104 - 126 lm/W
Driver option	Integral control gear
Driver	Constant current (CC)
Input voltage	220-240 V 50/60 Hz

Optic	N, M, W, VW, E
Optic value	10°, 17°, 33°, 59°x68°, 12°x43°
CCT / CRI	3000K CRI80, 4000K CRI80
Bug	B3-U0-G0, B4-U0-G0
ULR	<1%
ULOR	<1%
CIE flux code n°3	100, 99
Dimming type	On/Off, 1-10V, DALI

Product colours	Black, Dark Grey, White, Matt Silver, Bronze, Concrete - Urban, Softscape - Urban, Stone - Urban, Corten - Urban, Oak - Woodland, Walnut - Woodland, Pine - Woodland
Weight	7.2 kg
Operating temperature	-20 °C to 50 °C
EPA (m2)	0.084
Cable	One IP68 connector supplied with 0.2 m of 3x1.0 sqmm outdoor cable
Through wiring	Single cable entry, through wiring upon request
Lens / Reflector / Optic	Clear toughened glass, High-efficiency PMMA lens
Variants (On/Off, DALI)	Compatible with EN/ IEC 60598-2-22: Suitable for emergency installations as central supply, non-maintained (Z0)

KWH-50001



Accessory



DALI Control System
Control-DALI
