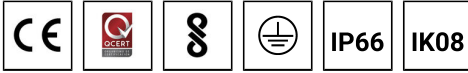


LADOR 1 (LD-50001)



Product description

Integral control gear - 62x62 mm - Class I



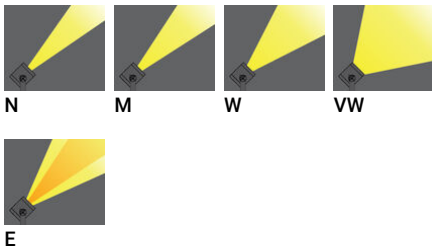
microPrim™



Luminaire Structure

- Die-cast aluminium housing
- Thermal heat dissipation body
- Pre-treated before powder coating ensuring high corrosion resistance
- Single cable entry
- One IP68 connector supplied with 0.2 m of 3x1.0 sqmm outdoor cable
- Stainless steel fasteners in grade 304 with zinc flake coating (ZFC)
- Durable silicone rubber gasket
- High-efficiency PMMA lens
- Clear toughened glass
- Integral control gear
- LADOR 1, 2, 3 and 4 are not available in European Union

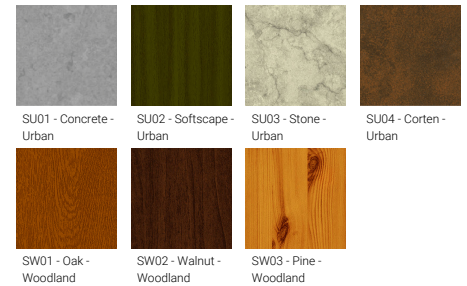
Optic



Product colour



Special finishes upon request

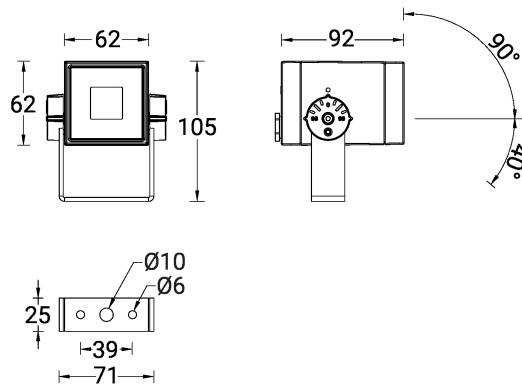


LADOR 1 (LD-50001)

Technical information

Material	Aluminium	Optic value	10°, 16°, 32°, 70°, 42°x11°	Operating temperature	-20 °C to 40 °C
Light source	1 LED	CCT / CRI	3000K CRI80, 4000K CRI80	EPA (m2)	0.010
Power	3 W	Bug	B0-U0-G0, B1-U0-G0	Cable	One IP68 connector supplied with 0.2 m of 3x1.0 sqmm outdoor cable
Lumen	209 - 262 lm	ULR	<1%	Through wiring	Single cable entry
Efficacy	70 - 87 lm/W	ULOR	<1%	Lens / Reflector / Optic	High-efficiency PMMA lens, Clear toughened glass
Driver option	Integral control gear	CIE flux code n°3	100	MacAdam Ellipse	3 SDCM
Driver	Constant current (CC)	Dimming type	On/Off	Lifetime L90B10 (hours)	> 120,000
Input voltage	220-240 V 50/60 Hz	Product colours	Black, Dark Grey, White, Matt Silver, Bronze, Concrete - Urban, Softscape - Urban, Stone - Urban, Corten - Urban, Oak - Woodland, Walnut - Woodland, Pine - Woodland	Lifetime L80B10 (hours)	> 120,000
Optic	N, M, W, VW, E			Lifetime L80B50 (hours)	> 120,000
		Weight	0.7 kg		

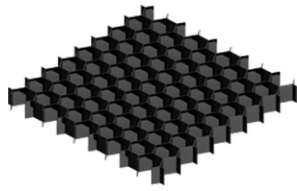
LD-50001



LADOR 1 (LD-50001)**Accessory**



Ground spike
A50641



Honeycomb louvre
A51821



Linear spread lens
A51114



Anti-glare visor
A52831

Please contact the factory for technical details if you wish to use Anti-glare accessories, Colour filters, Lenses and slip glasses in combination.