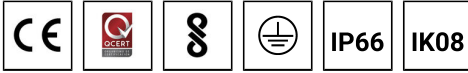


LADOR 2 (LD-50011)



Product description

Integral control gear - 82x82 mm - Class I

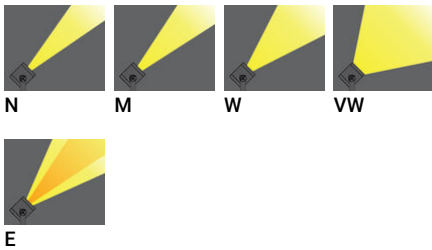


microPrim™

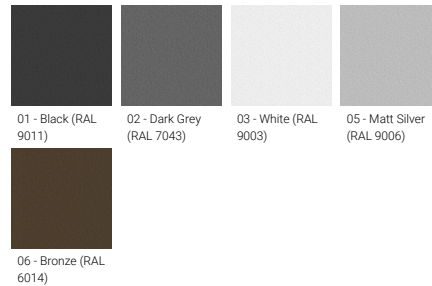
Luminaire Structure

- Die-cast aluminium housing
- Thermal heat dissipation body
- Pre-treated before powder coating ensuring high corrosion resistance
- Single cable entry
- One IP68 connector supplied with 0.2 m of 3x1.0 sqmm outdoor cable
- Stainless steel fasteners in grade 304 with zinc flake coating (ZFC)
- Durable silicone rubber gasket
- High-efficiency PMMA lens
- Clear toughened glass
- Integral control gear
- LADOR 1, 2, 3 and 4 are not available in European Union

Optic



Product colour



Special finishes upon request

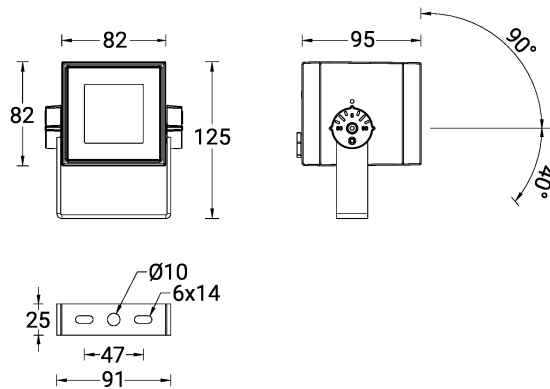


LADOR 2 (LD-50011)

Technical information

Material	Aluminium	CCT / CRI	3000K CRI80, 4000K CRI80	Cable	One IP68 connector supplied with 0.2 m of 3x1.0 sqmm outdoor cable
Light source	4 LED	Bug	B1-U0-G0, B2-U0-G0	Through wiring	Single cable entry
Power	10 W	ULR	<1%	Lens / Reflector / Optic	High-efficiency PMMA lens, Clear toughened glass
Lumen	906 - 1112 lm	ULOR	<1%	MacAdam Ellipse	3 SDCM
Efficacy	91 - 111 lm/W	CIE flux code n°3	100	Lifetime L90B10 (hours)	> 120,000
Driver option	Integral control gear	Dimming type	On/Off	Lifetime L80B10 (hours)	> 120,000
Driver	Constant current (CC)	Product colours	Black, Dark Grey, White, Matt Silver, Bronze, Concrete - Urban, Softscape - Urban, Stone - Urban, Corten - Urban, Oak - Woodland, Walnut - Woodland, Pine - Woodland	Lifetime L80B50 (hours)	> 120,000
Input voltage	220-240 V 50/60 Hz		Weight	1.0 kg	Variants (On/Off)
Optic	N, M, W, VW, E	Operating temperature	-20 °C to 40 °C		
Optic value	10°, 16°, 34°, 68°, 43°x11°	EPA (m2)	0.012		

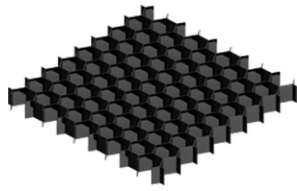
LD-50011



LADOR 2 (LD-50011)**Accessory**



Ground spike
A50941



Honeycomb louvre
A51921



Linear spread lens
A51214



Anti-glare visor
A52931

Please contact the factory for technical details if you wish to use Anti-glare accessories, Colour filters, Lenses and slip glasses in combination.