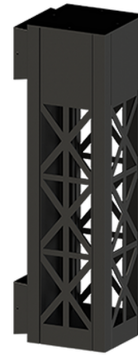


VANCOUVER 26 (VA-30012)



Product description

160x160 mm - 600 mm - Decorative pattern type 2



microPrim™

Luminaire Structure

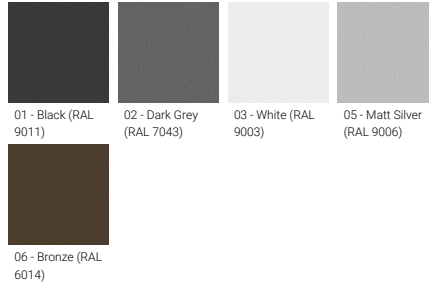
- Die-cast aluminium housing
- Extruded aluminium column
- Pre-treated before powder coating ensuring high corrosion resistance
- Single cable entry
- Stainless steel fasteners in grade 304 with zinc flake coating (ZFC)
- Durable silicone rubber gasket
- Clear toughened glass
- High-efficiency optical reflector
- Integral control gear

Optic

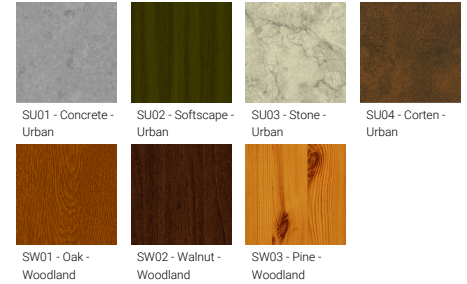


G

Product colour



Special finishes upon request



VANCOUVER 26 (VA-30012)

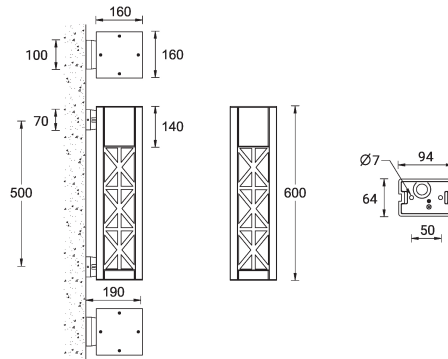
Technical information

Material	Aluminium
Light source	1 COB
Power	21 W
Lumen	460 - 490 lm
Efficacy	22 - 23 lm/W
Driver option	Integral control gear
Driver	Constant current (CC)
Input voltage	220-240 V 50/60 Hz

Optic	G
Optic value	56°
CCT / CRI	3000K CRI80, 4000K CRI80
Bug	B0-U1-G0
ULR	0%
ULOR	0%
CIE flux code n°3	99
Dimming type	On/Off, 1-10V, DALI

Product colours	Black, Dark Grey, White, Matt Silver, Bronze, Concrete - Urban, Softscape - Urban, Stone - Urban, Corten - Urban, Oak - Woodland, Walnut - Woodland, Pine - Woodland
Weight	9.0 kg
Operating temperature	-20 °C to 40 °C
Through wiring	Single cable entry
Lens / Reflector / Optic	Clear toughened glass, High-efficiency optical reflector
MacAdam Ellipse	3 SDCM
Lifetime L90B10 (hours)	> 61,000
Variants (On/Off, 1-10V, DALI)	Compatible with EN/ IEC 60598-2-22: Suitable for emergency installations as central supply, non-maintained (Z0)

VA-30012



VANCOUVER 26 (VA-30012)

Accessory



DALI Control System
Control-DALI
