

GINI 2 (GN-30091)



Product description

Down (Optic) & Up (Optic 2nd)



Luminaire Structure

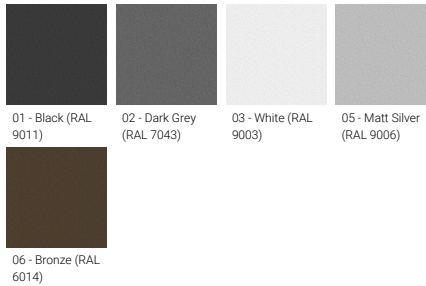
- Die-cast aluminium housing
- Pre-treated before powder coating ensuring high corrosion resistance
- Single cable entry
- Stainless steel fasteners in grade 304 with zinc flake coating (ZFC)
- Durable silicone rubber gasket
- Frosted toughened glass
- Integral control gear

Optic



G

Product colour



Special finishes upon request



GINI 2 (GN-30091)

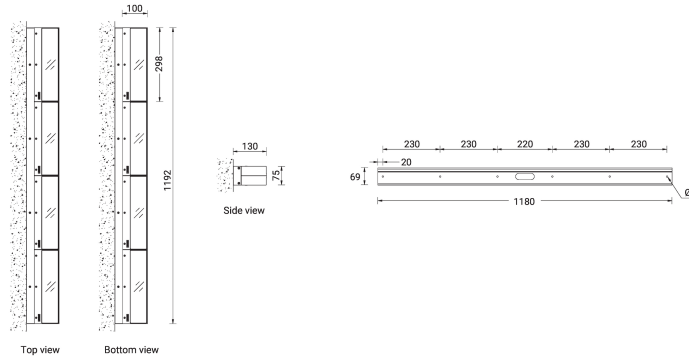
Technical information

Material	Aluminium
Light source	160 & 160 LED
Power	100 W
Lumen	7622 - 7940 lm
Efficacy	76 - 79 lm/W
Driver option	Integral control gear
Driver	Constant current (CC)
Input voltage	220-240 V 50/60 Hz
Optic	G

Optic value	95°x 86°
CCT / CRI	3000K CRI80, 4000K CRI80
Bug	B1-U5-G1, B2-U5-G1
ULR	51%
ULOR	51%
Dimming type	On/Off, DALI
Product colours	Black, Dark Grey, White, Matt Silver, Bronze, Concrete - Urban, Softscape - Urban, Stone - Urban, Corten - Urban, Oak - Woodland, Walnut - Woodland, Pine - Woodland
Weight	13.9 kg
Operating temperature	-20 °C to 40 °C

Through wiring	Single cable entry
Lens / Reflector / Optic	Frosted toughened glass
MacAdam Ellipse	3 SDCM
Lifetime L90B10 (hours)	> 23,000
Lifetime L80B10 (hours)	> 45,000
Lifetime L80B50 (hours)	> 49,000
Variants (On/Off, DALI)	Compatible with EN/ IEC 60598-2-22: Suitable for emergency installations as central supply, non-maintained (Z0)

GN-30091



Accessory



DALI Control System
Control-DALI
