

HAMILTON 2 (HAM-20012-LC)



Product description

2 sides - LIGHTCONNECT™



Luminaire Structure

- Die-cast aluminium housing
- Pre-treated before powder coating ensuring high corrosion resistance
- Single cable entry
- One IP68 connector supplied with 0.5 m of 3x1.0 sqmm outdoor cable
- Stainless steel fasteners in grade 304 with zinc flake coating (ZFC)
- Durable silicone rubber gasket
- Clear toughened glass
- High-efficiency polycarbonate lens
- Integral control gear
- Surge protection 10kV

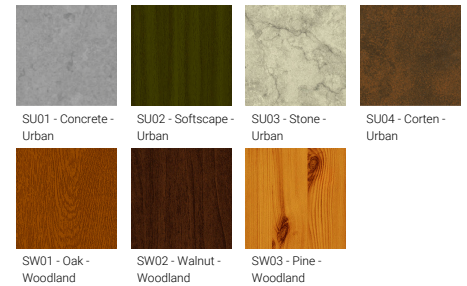
Optic



Product colour



Special finishes upon request

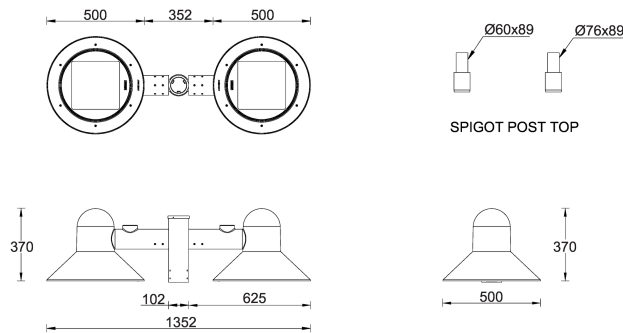


HAMILTON 2 (HAM-20012-LC)

Technical information

Material	Aluminium	CCT / CRI	3000K CRI80, 4000K CRI80	Cable	One IP68 connector supplied with 0.5 m of 3x1.0 sqmm outdoor cable	
Light source	2 x 48 LED	Bug	B2-U0-G1, B2-U0-G2, B3-U0-G0, B4-U0-G0	Through wiring	Single cable entry	
Power	146 W	ULR	<1%	Lens / Reflector / Optic	Clear toughened glass, High-efficiency polycarbonate lens	
Lumen	16790 - 19724 lm	ULOR	<1%	MacAdam Ellipse	3 SDCM	
Efficacy	115 - 135 lm/W	CIE flux code n°3	96, 97, 98, 99	Lifetime L90B10 (hours)	> 90,000	
Driver option	Integral control gear	Dimming type	DALI	Lifetime L80B10 (hours)	> 90,000	
Driver	Constant current (CC)	Product colours	Black, Dark Grey, White, Matt Silver, Bronze, Concrete - Urban, Softscape - Urban, Stone - Urban, Corten - Urban, Oak - Woodland, Walnut - Woodland, Pine - Woodland	Lifetime L80B50 (hours)	> 90,000	
Input voltage	220-240 V 50/60 Hz			Variants (DALI)	Compatible with EN/ IEC 60598-2-22: Suitable for emergency installations as central supply, non-maintained (Z0)	
Optic	M, W, EW, T2, T3, T4, ME					
Optic value	30°, 57°, 110°, 142°x42°, 150°x71°, 122°x79°, 148°x63°	Weight	29.7 kg			
		Operating temperature	-20 °C to 40 °C			
		EPA (m2)	0.286			

HAMILTON 2
HAM-20012



HAMILTON 2 (HAM-20012-LC)**Accessory**



Zhaga Book 18 socket (Down)
A90991-D



NEMA 7 socket
A90891



DALI Control System
Control-DALI
