

**DUOMO 1** (DU-10186-2-SB)



**Product description**

Ø160 - 1041 mm - Flat top - With integrated security core (Anti-traffic)



**Luminaire Structure**

- Die-cast aluminium housing
- Extruded aluminium column
- Pre-treated before powder coating ensuring high corrosion resistance
- Single cable entry
- One IP68 connector supplied with 0.2 m of 3x1.0 sqmm outdoor cable
- Stainless steel fasteners in grade 304 with zinc flake coating (ZFC)
- Durable silicone rubber gasket
- Opal toughened glass diffuser
- Integral control gear

**Optic**



G

**Product colour**



**Special finishes upon request**



**DUOMO 1 (DU-10186-2-SB)**

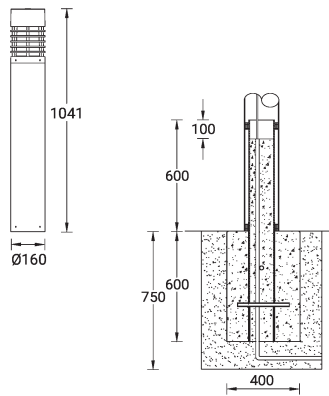
**Technical information**

|                      |                       |
|----------------------|-----------------------|
| <b>Light source</b>  | 1 COB                 |
| <b>Power</b>         | 41 W                  |
| <b>Lumen</b>         | 705 - 742 lm          |
| <b>Efficacy</b>      | 17 - 18 lm/W          |
| <b>Driver option</b> | Integral control gear |
| <b>Driver</b>        | Constant current (CC) |
| <b>Input voltage</b> | 220-240 V 50/60 Hz    |
| <b>Optic</b>         | G                     |

|                          |  |
|--------------------------|--|
| <b>Optic value</b>       | 360°   |
| <b>CCT / CRI</b>         | 3000K CRI80, 4000K CRI80   |
| <b>Bug</b>               | B0-U3-G1   |
| <b>ULR</b>               | 46%  |
| <b>ULOR</b>              | 46%  |
| <b>CIE flux code n°3</b> | 48   |
| <b>Dimming type</b>      | On/Off, 1-10V, DALI  |
| <b>Product colours</b>   | Black, Dark Grey, White, Matt Silver, Bronze, Concrete - Urban, Softscape - Urban, Stone - Urban, Corten - Urban, Oak - Woodland, Walnut - Woodland, Pine - Woodland |

|                                 |   |
|---------------------------------|---|
| <b>Weight</b>                   | 34.6 kg   |
| <b>Operating temperature</b>    | -20 °C to 40 °C   |
| <b>Cable</b>                    | One IP68 connector supplied with 0.2 m of 3x1.0 sqmm outdoor cable  |
| <b>Through wiring</b>           | Single cable entry  |
| <b>Lens / Reflector / Optic</b> | Opal toughened glass diffuser   |
| <b>Variants (1-10V, DALI)</b>   | Compatible with EN/ IEC 60598-2-22: Suitable for emergency installations as central supply, non-maintained (Z0) |

DU-10186-2-SB



**DUOMO 1** (DU-10186-2-SB)**Accessory**

---



---

Power connection box (IP65)  
modification upon request  
**POWER-BOX-IP65**

---



---

DALI Control System  
**Control-DALI**

---