

**FORREY 14 (FOR-20022)**



**Product description**

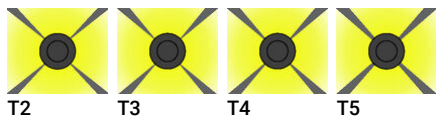
Top Ø250 mm - With louver



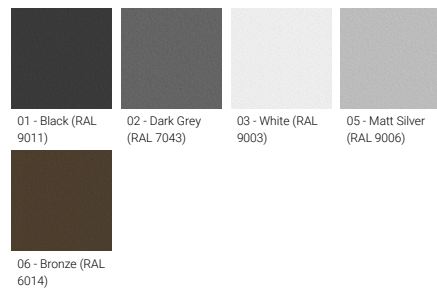
**Luminaire Structure**

- Die-cast aluminium housing
- Pre-treated before powder coating ensuring high corrosion resistance
- Extruded aluminium column
- Models with shade will have colour white coating at inside of shade luminaire and outside surface coating according to colour of luminaire
- Single cable entry
- One IP68 connector supplied with 0.2 m of 3x1.0 sqmm outdoor cable
- Stainless steel fasteners in grade 304 with zinc flake coating (ZFC)
- Durable silicone rubber gasket
- High-efficiency PMMA lens
- Integral control gear
- FORREY luminaires with opal lens and colder than 3000K CCT do not meet the IDA certification requirements

**Optic**



**Product colour**



**Special finishes upon request**



**FORREY 14 (FOR-20022)**

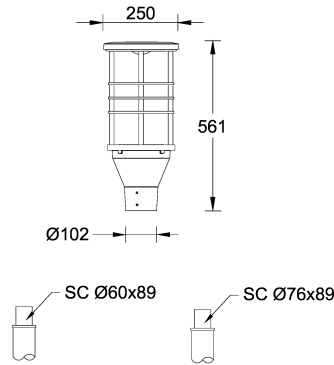
**Technical information**

|                      |                       |
|----------------------|-----------------------|
| <b>Material</b>      | Aluminium             |
| <b>Light source</b>  | 1 COB                 |
| <b>Power</b>         | 48 W                  |
| <b>Lumen</b>         | 3191 - 3711 lm        |
| <b>Efficacy</b>      | 67 - 78 lm/W          |
| <b>Driver option</b> | Integral control gear |
| <b>Driver</b>        | Constant current (CC) |
| <b>Input voltage</b> | 220-240 V 50/60 Hz    |

|                              |                                                                                                                                                                      |
|------------------------------|----------------------------------------------------------------------------------------------------------------------------------------------------------------------|
| <b>Optic</b>                 | T2, T3, T4, T5                                                                                                                                                       |
| <b>Optic value</b>           | 140°x100°, 132°x103°, 137°x117°, 73°                                                                                                                                 |
| <b>CCT / CRI</b>             | 3000K CRI80, 4000K CRI80                                                                                                                                             |
| <b>Dimming type</b>          | On/Off, 1-10V, DALI                                                                                                                                                  |
| <b>Product colours</b>       | Black, Dark Grey, White, Matt Silver, Bronze, Concrete - Urban, Softscape - Urban, Stone - Urban, Corten - Urban, Oak - Woodland, Walnut - Woodland, Pine - Woodland |
| <b>Weight</b>                | 10.6 kg                                                                                                                                                              |
| <b>Operating temperature</b> | -20 °C to 40 °C                                                                                                                                                      |
| <b>EPA (m2)</b>              | 0.105                                                                                                                                                                |

|                                 |                                                                                                                 |
|---------------------------------|-----------------------------------------------------------------------------------------------------------------|
| <b>Cable</b>                    | One IP68 connector supplied with 0.2 m of 3x1.0 sqmm outdoor cable                                              |
| <b>Through wiring</b>           | Single cable entry                                                                                              |
| <b>Lens / Reflector / Optic</b> | High-efficiency PMMA lens                                                                                       |
| <b>MacAdam Ellipse</b>          | 3 SDCM                                                                                                          |
| <b>Lifetime L90B10 (hours)</b>  | > 50,700                                                                                                        |
| <b>Lifetime L80B10 (hours)</b>  | > 63,500                                                                                                        |
| <b>Lifetime L80B50 (hours)</b>  | > 63,500                                                                                                        |
| <b>Variants (DALI)</b>          | Compatible with EN/ IEC 60598-2-22: Suitable for emergency installations as central supply, non-maintained (Z0) |

FOR-20022



**FORREY 14** (FOR-20022)

**Accessory**

---



DALI Control System  
**Control-DALI**

---