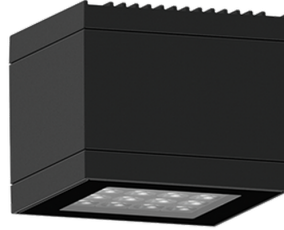


LADOR 8 (LD-30031)



Product description

Integral control gear - 145x145 mm - Class I



microPrim™



DARKSKY APPROVED
Reduces light pollution
Certified by DarkSky.org

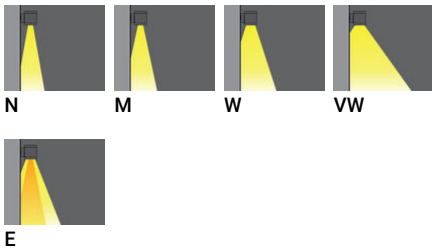
Luminaire Structure

- Die-cast aluminium housing
- Pre-treated before powder coating ensuring high corrosion resistance
- Thermal heat dissipation body
- Two cable entries for through wiring

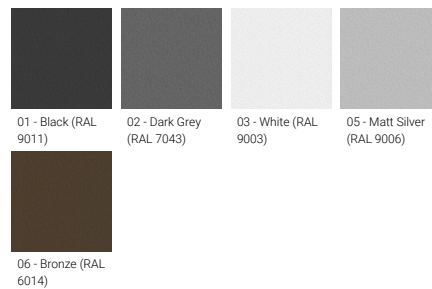
- One cable gland supplied with 0.2 m of 3x1.0 sqmm outdoor cable
- Stainless steel fasteners in grade 304 with zinc flake coating (ZFC)
- Durable silicone rubber gasket
- Clear toughened glass

- High-efficiency PMMA lens
- Integral control gear
- Optional surface mounting box for easy wiring or conduit connection when wiring from behind is not possible

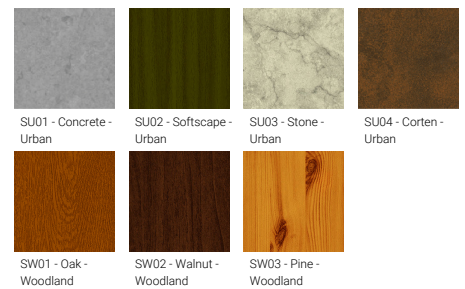
Optic



Product colour



Special finishes upon request



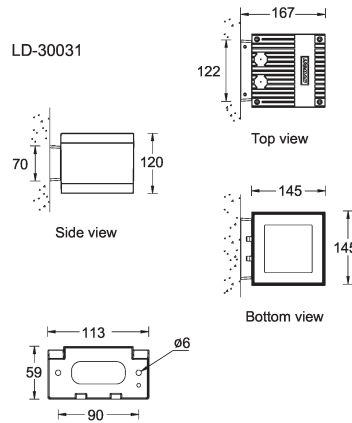
LADOR 8 (LD-30031)

Technical information

| | |
|----------------------|-----------------------|
| Material | Aluminium |
| Light source | 16 LED |
| Power | 35 W |
| Lumen | 3263 - 4110 lm |
| Efficacy | 93 - 117 lm/W |
| Driver option | Integral control gear |
| Driver | Constant current (CC) |
| Input voltage | 220-240 V 50/60 Hz |

| | |
|--------------------------|-----------------------------|
| Optic | N, M, W, VW, E |
| Optic value | 10°, 16°, 33°, 72°, 43°x11° |
| CCT / CRI | 3000K CRI80, 4000K CRI80 |
| Bug | B2-U0-G0, B3-U0-G0 |
| ULR | <1% |
| ULOR | <1% |
| CIE flux code n°3 | 100 |
| Dimming type | On/Off, 1-10V, DALI |

| | |
|---------------------------------|--|
| Product colours | Black, Dark Grey, White, Matt Silver, Bronze, Concrete - Urban, Softscape - Urban, Stone - Urban, Corten - Urban, Oak - Woodland, Walnut - Woodland, Pine - Woodland |
| Weight | 2.8 kg |
| Operating temperature | -20 °C to 40 °C |
| Cable | One cable gland supplied with 0.2 m of 3x1.0 sqmm outdoor cable |
| Through wiring | Two cable entries for through wiring |
| Lens / Reflector / Optic | Clear toughened glass, High-efficiency PMMA lens |
| Variants (1-10V, DALI) | Compatible with EN/ IEC 60598-2-22: Suitable for emergency installations as central supply, non-maintained (Z0) |



LADOR 8 (LD-30031)**Accessory**



Surface mounting box for easy
cabling (LADOR 8)
SCE-LADOR-8



DALI Control System
Control-DALI
