

LADOR 43 (LD-50211) (Version 1)



Product description

With remote driver IP-rated - Constant voltage (CV) 24 V - 82x82 mm - Class III - RGBW

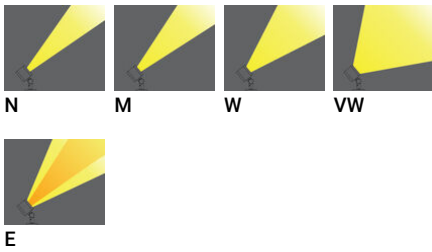


microPrim™

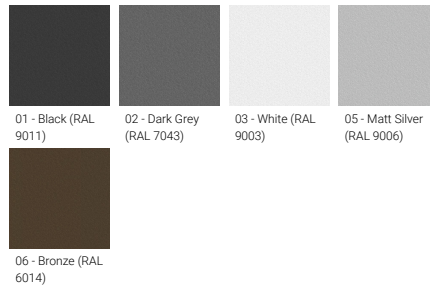
Luminaire Structure

- Die-cast aluminium housing
- Pre-treated before powder coating ensuring high corrosion resistance
- Thermal heat dissipation body
- Adjustable: Tilt 80° (Up) & 40° (Down), Rotation 350°
- Single cable entry
- Stainless steel fasteners in grade 304 with zinc flake coating (ZFC)
- Durable silicone rubber gasket
- High-efficiency PMMA lens
- Clear toughened glass
- Remote driver (included)

Optic



Product colour



Special finishes upon request



LADOR 43 (LD-50211) (Version 1)

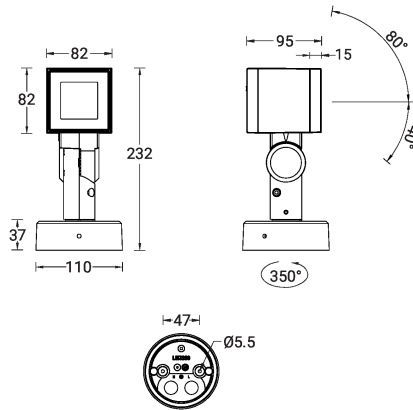
Technical information

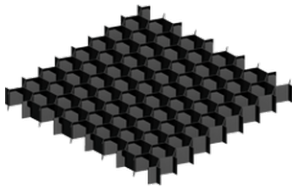
Material	Aluminium
Light source	4 LED
Power	10 W
Lumen	406 - 520 lm
Efficacy	41 - 52 lm/W
Driver option	Remote driver (included)
Driver	Constant voltage (CV)
Input voltage	24 VDC

Optic	N, M, W, VW, E
Optic value	8°, 17°, 26°, 65°, 43°x11°
CCT / CRI	RGBW30, RGBW40
Bug	B1-U0-G0
ULR	<1%
ULOR	<1%
CIE flux code n°3	100
Dimming type	DMX, DMX/RDM

Product colours	Black, Dark Grey, White, Matt Silver, Bronze, Concrete - Urban, Softscape - Urban, Stone - Urban, Corten - Urban, Oak - Woodland, Walnut - Woodland, Pine - Woodland
Weight	1.6 kg
Operating temperature	-20 °C to 40 °C
EPA (m2)	0.026
Through wiring	Single cable entry
Lens / Reflector / Optic	High-efficiency PMMA lens, Clear toughened glass
Variants (DMX/RDM)	Compatible with EN/ IEC 60598-2-22: Suitable for emergency installations as central supply, non-maintained (Z0)

LD-50211



AccessoryDMX Control System
Control-DMXDMX/RDM Control System
Control-DMX-RDMGround spike
A51041Linear spread lens
A51214Honeycomb louvre
A51921Anti-glare visor
A52931Mounting belt
A50291

Please contact the factory for technical details if you wish to use Anti-glare accessories, Colour filters, Lenses and slip glasses in combination.