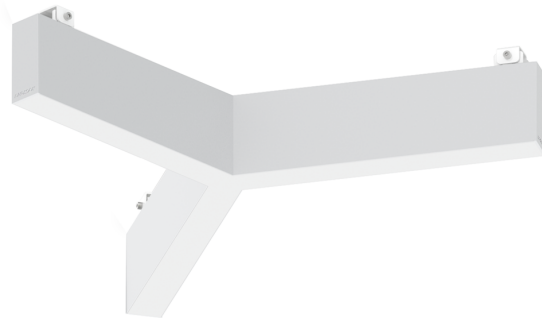


NYBRO 24 (NYB-81042-SU)



Product description

Down (Optic) & Up (Optic 2nd) - Y120° - 60x95 mm - 518 mm



microPrim™

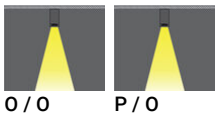
Luminaire Structure

- Die-cast aluminium end-caps and extruded aluminium profile with powder coating
- Passive thermal management
- Stainless steel fasteners in grade 304 with zinc flake coating (ZFC)
- PMMA diffuser with Opal (UGR <19) and micro prismatic (UGR <13) options for better glare control

- Integral control gear
- Stainless steel brackets and screws for mounting
- Up and down light distribution options
- Wireless control available through Bluetooth connection

- Daylight and occupancy sensor options

Optic



Product colour



01 - Black (RAL 9011) 03 - White (RAL 9003) 05 - Matt Silver (RAL 9006)

Special finishes upon request



SU01 - Concrete - Urban SU02 - Softscape - Urban SU03 - Stone - Urban SU04 - Corten - Urban



SW01 - Oak - Woodland SW02 - Walnut - Woodland SW03 - Pine - Woodland

NYBRO 24 (NYB-81042-SU)

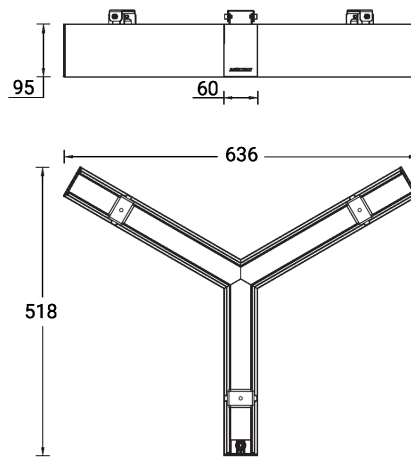
Technical information

| | |
|----------------------|-----------------------|
| Material | Aluminium |
| Light source | 120 & 108 LED |
| Power | 66 W |
| Lumen | 6721 - 7577 lm |
| Efficacy | 102 - 115 lm/W |
| Driver option | Integral control gear |
| Driver | Constant current (CC) |
| Input voltage | 220-240 V 50/60 Hz |

| | |
|--------------------------|---|
| Optic | O, P |
| Optic value | Opal, Micro-prismatic |
| Optic (2nd) | O |
| Optic (2nd) value | Opal |
| CCT / CRI | 3000K CRI80, 4000K CRI80 |
| Dimming type | On/Off, DALI |
| Product colours | Black, White, Matt Silver, Concrete - Urban, Softscape - Urban, Stone - Urban, Corten - Urban, Oak - Woodland, Walnut - Woodland, Pine - Woodland |
| Weight | 4.8 kg |

| | |
|--------------------------------|---|
| Operating temperature | -20 °C to 40 °C |
| MacAdam Ellipse | 3 SDCM |
| Lifetime L90B10 (hours) | > 23,000 |
| Lifetime L80B10 (hours) | > 45,000 |
| Lifetime L80B50 (hours) | > 50,000 |
| Variants (On/Off, DALI) | Compatible with EN/ IEC 60598-2-22: Suitable for emergency installations as central supply, non-maintained (Z0) |

NYB-81042-SU



NYBRO 24 (NYB-81042-SU)**Accessory**



Continuous-coupler bracket
(60/70 mm Down & 60 mm
Down & Up profile)
A81581



DALI Control System
Control-DALI
