

ODESSA 2 (OD-80012)



Product description

Medium



Luminaire Structure

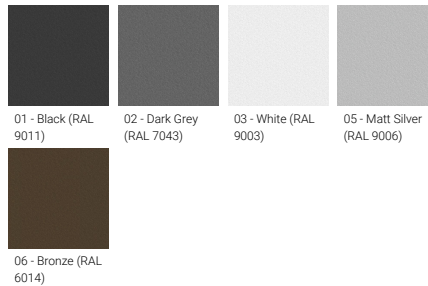
- Die-cast aluminium housing
- Pre-treated before powder coating ensuring high corrosion resistance
- Single cable entry, through wiring upon request
- One cable gland supplied with 0.2 m of 3x1.0 sqmm outdoor cable
- Stainless steel fasteners in grade 304 with zinc flake coating (ZFC)
- Durable silicone rubber gasket
- Clear toughened glass
- High-efficiency optical reflector
- Integral control gear

Optic

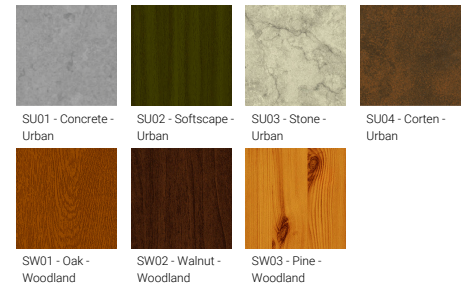


VN

Product colour



Special finishes upon request



ODESSA 2 (OD-80012)

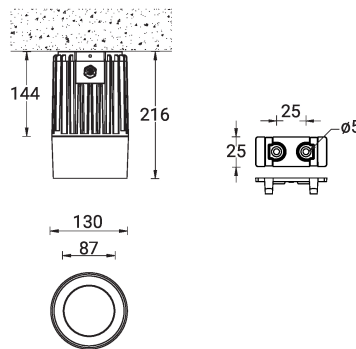
Technical information

Material	Aluminium
Light source	3 LED
Power	27 W
Lumen	1636 - 2005 lm
Efficacy	61 - 74 lm/W
Driver option	Integral control gear
Driver	Constant current (CC)
Input voltage	220-240 V 50/60 Hz
Optic	VN

Optic value	8°
CCT / CRI	2700K CRI80, 3000K CRI80, 4000K CRI80
Bug	B2-U0-G0, B3-U0-G0
ULR	<1%
ULOR	<1%
CIE flux code n°3	100
Dimming type	On/Off, DALI
Product colours	Black, Dark Grey, White, Matt Silver, Bronze, Concrete - Urban, Softscape - Urban, Stone - Urban, Corten - Urban, Oak - Woodland, Walnut - Woodland, Pine - Woodland
Weight	2.3 kg

Operating temperature	-20 °C to 40 °C
Cable	One cable gland supplied with 0.2 m of 3x1.0 sqmm outdoor cable
Through wiring	Single cable entry, through wiring upon request
Lens / Reflector / Optic	Clear toughened glass, High-efficiency optical reflector
MacAdam Ellipse	3 SDCM
Lifetime L90B10 (hours)	> 109,000
Lifetime L80B10 (hours)	> 109,000
Lifetime L80B50 (hours)	> 109,000
Variants (DALI)	Compatible with EN/ IEC 60598-2-22: Suitable for emergency installations as central supply, non-maintained (Z0)

OD-80012



ODESSA 2 (OD-80012)**Accessory**



Anti-glare visor
A80131



Anti-glare louvre
A80231



Linear spread lens
A80114



DALI Control System
Control-DALI

Please contact the factory for technical details if you wish to use Anti-glare accessories, Colour filters, Lenses and slip glasses in combination.