

TANGO 29 (TA-31863)



Product description

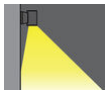
Ø186 - 274 mm - Down - Round



Luminaire Structure

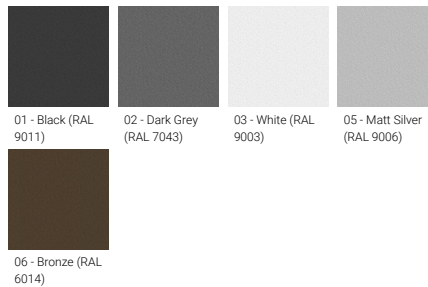
- Die-cast aluminium housing and frame
- Pre-treated before powder coating ensuring high corrosion resistance
- Single cable entry
- Stainless steel fasteners in grade 304 with zinc flake coating (ZFC)
- Durable silicone rubber gasket
- Clear toughened glass
- High-efficiency optical reflector
- Integral control gear
- Optional surface mounting box for easy wiring or conduit connection when wiring from behind is not possible
- TANGO luminaires with uplight and colder than 3000K CCT do not meet the IDA certification requirements

Optic

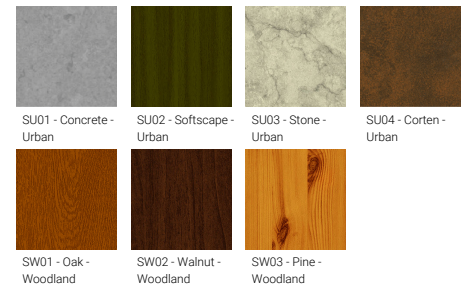


AS

Product colour



Special finishes upon request



TANGO 29 (TA-31863)

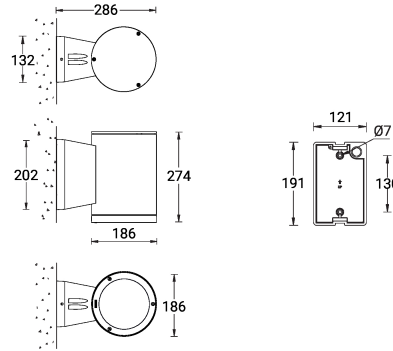
Technical information

Material	Aluminium
Light source	1 COB
Power	42 W
Lumen	3377 - 3555 lm
Efficacy	80 - 85 lm/W
Driver option	Integral control gear
Driver	Constant current (CC)
Input voltage	220-240 V 50/60 Hz

Optic	AS
Optic value	46°x56°
CCT / CRI	3000K CRI80, 4000K CRI80
Bug	B1-U0-G0, B2-U0-G0
ULR	<1%
ULOR	<1%
CIE flux code n°3	100
Dimming type	On/Off, DALI

Product colours	Black, Dark Grey, White, Matt Silver, Bronze, Concrete - Urban, Softscape - Urban, Stone - Urban, Corten - Urban, Oak - Woodland, Walnut - Woodland, Pine - Woodland
Weight	4.4 kg
Operating temperature	-20 °C to 40 °C
Through wiring	Single cable entry
Lens / Reflector / Optic	Clear toughened glass, High-efficiency optical reflector
Variants (DALI)	Compatible with EN/ IEC 60598-2-22: Suitable for emergency installations as central supply, non-maintained (Z0)

TA-31863



TANGO 29 (TA-31863)**Accessory**



Surface mounting box for easy
cabling (TANGO 29)
SCE-TANGO-29



DALI Control System
Control-DALI
