

ARDEN 4 (ARD-90143)



Product description

Down (Optic) & Up (Optic 2nd) - 880 mm - Tunable White



microPrim™

Luminaire Structure

- Extruded aluminium bended profile with powder coating
- Passive thermal management
- Stainless steel fasteners in grade 304 with zinc flake coating (ZFC)
- PMMA diffuser with Opal (UGR <19) and micro prismatic (UGR <13) options for better glare control

- Integral control gear
- Stainless steel, adjustable, suspension (1.5 m) complete with electrical wires in white for mounting
- Up and down light distribution options
- Wireless control available through Bluetooth connection

- Daylight and occupancy sensor options
- Emergency module (1 or 3 hours) is available upon request with 3 options (BASIC, SELF-TEST, PRO-DALI)

Product colour



01 - Black (RAL 9011) 03 - White (RAL 9003) 05 - Matt Silver (RAL 9006)

Special finishes upon request



SU01 - Concrete - Urban SU02 - Softscape - Urban SU03 - Stone - Urban SU04 - Corten - Urban



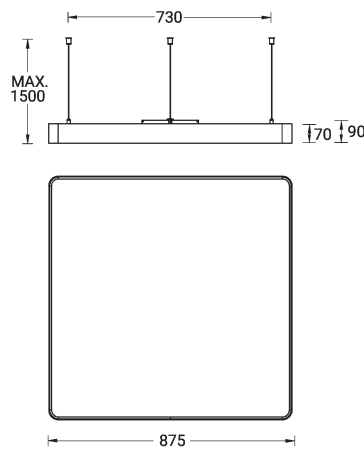
SW01 - Oak - Woodland SW02 - Walnut - Woodland SW03 - Pine - Woodland

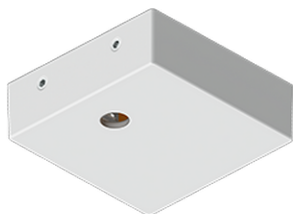
ARDEN 4 (ARD-90143)

Technical information

Material	Aluminium	Optic value	107°, 93°	Lens / Reflector / Optic	PMMA diffuser with Opal (UGR <19) and micro prismatic (UGR <13) options for better glare control
Light source	3024 & 768 LED	Optic (2nd)	0	MacAdam Ellipse	3 SDCM
Power	189 W	Optic (2nd) value	105°	Lifetime L90B10 (hours)	> 23,000
Lumen	34913 lm	CCT / CRI	TW (2700K - 6500K)	Lifetime L80B10 (hours)	> 45,000
Driver option	Integral control gear	Dimming type	DALI	Lifetime L80B50 (hours)	> 50,000
Driver	Constant current (CC)	Product colours	Black, White, Matt Silver, Concrete - Urban, Softscape - Urban, Stone - Urban, Corten - Urban, Oak - Woodland, Walnut - Woodland, Pine - Woodland	Variants (DALI)	Compatible with EN/ IEC 60598-2-22: Suitable for emergency installations as central supply, non-maintained (Z0)
Input voltage	220-240 V 50/60 Hz				
Optic	0, P	Weight	12.5 kg		
		Operating temperature	-20 °C to 40 °C		

ARD-90143



ARDEN 4 (ARD-90143)**Accessory**

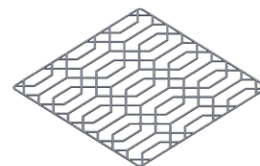
Supply cable surface mounting
box
A80981



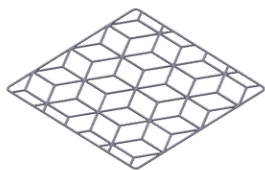
Wireless bluetooth converter
A90291



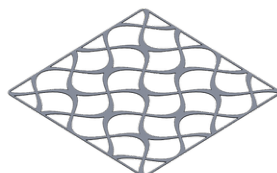
Xpress wireless switch
A90591



Decorative pattern - Type A for
ARDEN 900 mm
A91821



Decorative pattern - Type B for
ARDEN 900 mm
A93221



Decorative pattern - Type C for
ARDEN for ARDEN 900 mm
A94621



DALI Control System
Control-DALI