

BAMBOO 4 (BA-10633)



Product description

102x102 mm - 668 mm - Square

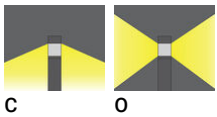


microPrim™

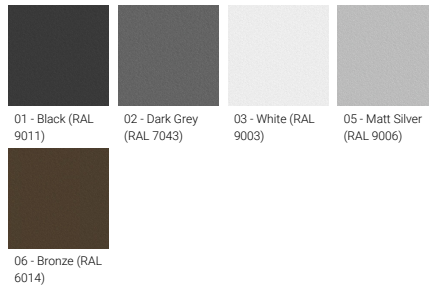
Luminaire Structure

- Die-cast aluminium housing
- Extruded aluminium column
- Pre-treated before powder coating ensuring high corrosion resistance
- Single cable entry
- One IP68 connector supplied with 0.2 m of 3x1.0 sqmm outdoor cable
- Stainless steel fasteners in grade 304 with zinc flake coating (ZFC)
- Durable silicone rubber gasket
- Clear prismatic acrylic PMMA diffuser
- Opal UV-stabilised polycarbonate diffuser
- Integral control gear

Optic



Product colour



Special finishes upon request



BAMBOO 4 (BA-10633)

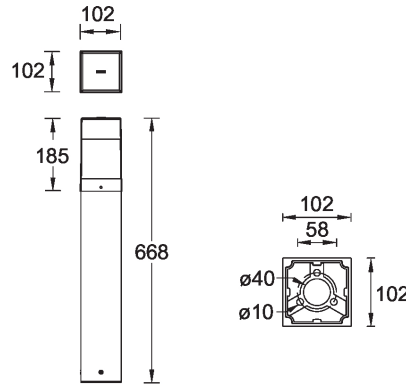
Technical information

Material	Aluminium
Light source	1 COB
Power	15 W
Lumen	307 - 463 lm
Efficacy	20 - 31 lm/W
Driver option	Integral control gear
Driver	Constant current (CC)
Input voltage	220-240 V 50/60 Hz
Optic	C, O

Optic value	121°x139°, 360°
CCT / CRI	3000K CRI80, 4000K CRI80
Bug	B0-U2-G0, B0-U3-G1
ULR	11%, 50%
ULOR	11%, 50%
CIE flux code n°3	67, 91
Dimming type	On/Off, 1-10V, DALI
Product colours	Black, Dark Grey, White, Matt Silver, Bronze, Concrete - Urban, Softscape - Urban, Stone - Urban, Corten - Urban, Oak - Woodland, Walnut - Woodland, Pine - Woodland
Weight	3.1 kg

Operating temperature	-20 °C to 40 °C
Cable	One IP68 connector supplied with 0.2 m of 3x1.0 sqmm outdoor cable
Through wiring	Single cable entry
Lens / Reflector / Optic	Clear prismatic acrylic PMMA diffuser, Opal UV-stabilised polycarbonate diffuser
MacAdam Ellipse	3 SDCM
Lifetime L90B10 (hours)	> 55,000
Variants (On/Off, 1-10V, DALI)	Compatible with EN/ IEC 60598-2-22: Suitable for emergency installations as central supply, non-maintained (Z0)

BA-10633



BAMBOO 4 (BA-10633)

Accessory



DALI Control System
Control-DALI



Anchor bolt
A10791
