

**GAVLE 4** (GAV-80561)



**Product description**

Down (Optic) & Up (Optic 2nd) - 100x100 mm - 4000 mm



microPrim™

**Luminaire Structure**

- Extruded aluminium bended profile with powder coating
- Passive thermal management
- Stainless steel fasteners in grade 304 with zinc flake coating (ZFC)
- Opal PMMA diffuser (UGR <19) for glare control
- Integral control gear
- Steel brackets for ceiling down mounting option
- Up and down light distribution options
- Wireless control available through Bluetooth connection

**Optic**



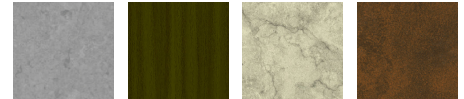
O / O

**Product colour**

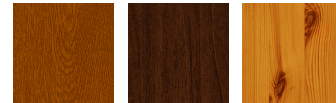


01 - Black (RAL 9011)    03 - White (RAL 9003)    05 - Matt Silver (RAL 9006)

**Special finishes upon request**



SU01 - Concrete - Urban    SU02 - Softscape - Urban    SU03 - Stone - Urban    SU04 - Corten - Urban



SW01 - Oak - Woodland    SW02 - Walnut - Woodland    SW03 - Pine - Woodland

**GAVLE 4 (GAV-80561)**

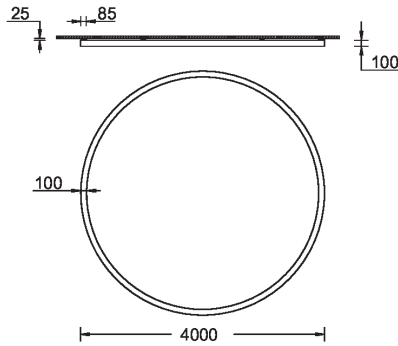
**Technical information**

<b>Material</b>	Aluminium
<b>Light source</b>	2688 & 2688 LED
<b>Power</b>	690 W
<b>Lumen</b>	80474 - 84002 lm
<b>Efficacy</b>	117 - 122 lm/W
<b>Driver option</b>	Integral control gear

<b>Driver</b>	Constant current (CC)
<b>Input voltage</b>	220-240 V 50/60 Hz
<b>Optic</b>	O
<b>Optic value</b>	Opal
<b>Optic (2nd)</b>	O
<b>Optic (2nd) value</b>	Opal

<b>CCT / CRI</b>	3000K CRI80, 4000K CRI80
<b>Dimming type</b>	On/Off, 1-10V, DALI
<b>Product colours</b>	Black, White, Matt Silver, Concrete - Urban, Softscape - Urban, Stone - Urban, Corten - Urban, Oak - Woodland, Walnut - Woodland, Pine - Woodland
<b>Weight</b>	51.3 kg
<b>Operating temperature</b>	-20 °C to 40 °C
<b>Variants (On/Off, 1-10V, DALI)</b>	Compatible with EN/ IEC 60598-2-22: Suitable for emergency installations as central supply, non-maintained (Z0)

GAV-80561



**GAVLE 4** (GAV-80561)**Accessory**

---



---

Wireless bluetooth converter  
**A90291**

---



---

Xpress wireless switch  
**A90591**

---



---

DALI Control System  
**Control-DALI**

---