

**MACARON 1 (MC-20001-LC)**



**Product description**

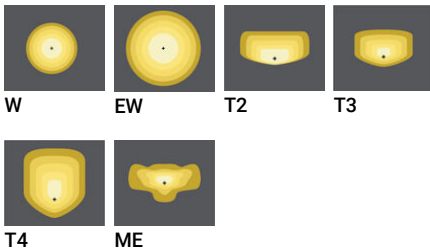
LIGHTCONNECT™



**Luminaire Structure**

- Die-cast aluminium housing and frame
- Pre-treated before powder coating ensuring high corrosion resistance
- Customised dimensions are available as standard upon request
- Single cable entry
- One IP68 connector supplied with 0.2 m of 3x1.0 sqmm outdoor cable
- Stainless steel fasteners in grade 304 with zinc flake coating (ZFC)
- Durable silicone rubber gasket
- Clear toughened glass
- High-efficiency PMMA lens
- Integral control gear

**Optic**



**Product colour**



**Special finishes upon request**



**MACARON 1 (MC-20001-LC)**

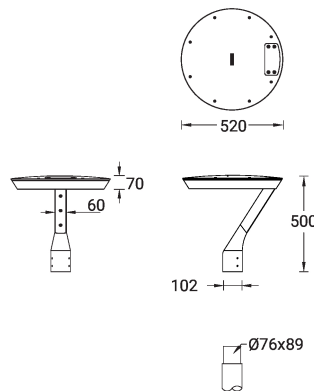
**Technical information**

<b>Material</b>	Aluminium
<b>Light source</b>	2 x 24 LED
<b>Power</b>	81 W
<b>Lumen</b>	9159 - 10348 lm
<b>Efficacy</b>	113 - 128 lm/W
<b>Driver option</b>	Integral control gear
<b>Driver</b>	Constant current (CC)
<b>Input voltage</b>	220-240 V 50/60 Hz
<b>Optic</b>	W, EW, T2, T3, T4, ME
<b>Optic value</b>	51°x56°, 105°x113°, 54°x137°, 85°x119°, 73°x101°, 58°x136°

<b>CCT / CRI</b>	3000K CRI80, 4000K CRI80
<b>Bug</b>	B2-U0-G1, B2-U0-G2, B2-U1-G2, B3 U0 G2, B3-U0-G1, B3-U0-G2, B3-U1-G1, B3-U1-G2, B3-U1-G3
<b>ULR</b>	<1%
<b>ULOR</b>	<1%
<b>CIE flux code n°3</b>	97, 98, 99
<b>Dimming type</b>	On/Off, 1-10V, DALI
<b>Product colours</b>	Black, Dark Grey, White, Matt Silver, Bronze, Concrete - Urban, Softscape - Urban, Stone - Urban, Corten - Urban, Oak - Woodland, Walnut - Woodland, Pine - Woodland
<b>Weight</b>	10.0 kg
<b>Operating temperature</b>	-20 °C to 40 °C
<b>EPA (m2)</b>	0.068

<b>Cable</b>	One IP68 connector supplied with 0.2 m of 3x1.0 sqmm outdoor cable
<b>Through wiring</b>	Single cable entry
<b>Lens / Reflector / Optic</b>	Clear toughened glass, High-efficiency PMMA lens
<b>MacAdam Ellipse</b>	3 SDCM
<b>Lifetime L90B10 (hours)</b>	> 90,000
<b>Lifetime L80B10 (hours)</b>	> 90,000
<b>Lifetime L80B50 (hours)</b>	> 90,000
<b>Variants (On/Off, 1-10V, DALI)</b>	Compatible with EN/ IEC 60598-2-22: Suitable for emergency installations as central supply, non-maintained (Z0)

MC-20001



**MACARON 1** (MC-20001-LC)**Accessory**

---



---

Zhaga Book 18 socket (Up)  
**A90991-U**

---



---

NEMA 7 socket  
**A90891**

---



---

DALI Control System  
**Control-DALI**

---