

MARVIK 2 (MV-30013)



Product description

Ø100 - 220 mm - Down



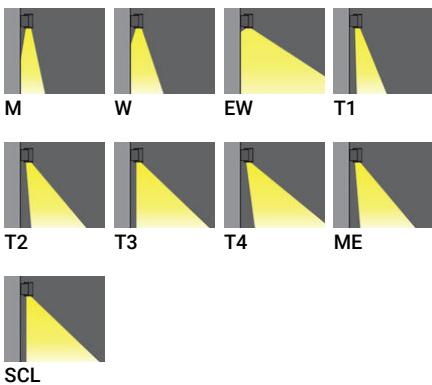
Luminaire Structure

- Die-cast aluminium housing and frame
- Pre-treated before powder coating ensuring high corrosion resistance
- Single cable entry
- Stainless steel fasteners in grade 304 with zinc flake coating (ZFC)

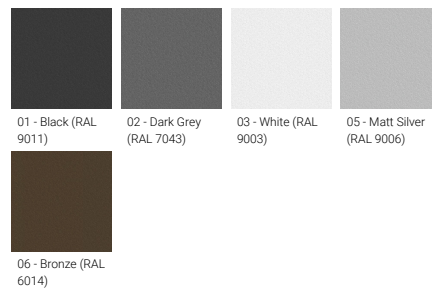
- Durable silicone rubber gasket
- Clear toughened glass
- Integral control gear
- Optional surface mounting box for easy wiring or conduit connection when wiring from behind is not possible

- MARVIK luminaires with uplight and colder than 3000K CCT do not meet the IDA certification requirements

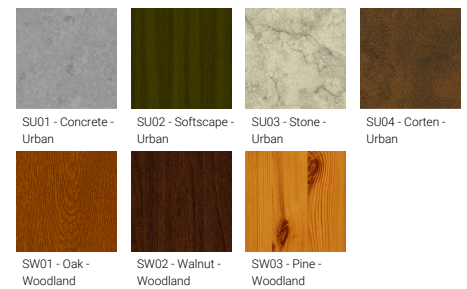
Optic



Product colour



Special finishes upon request



MARVIK 2 (MV-30013)

Technical information

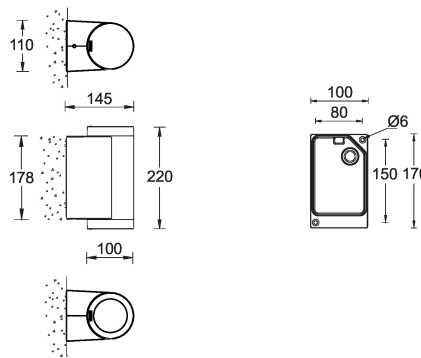
Material	Aluminium
Light source	4 LED
Power	10 W
Lumen	843 - 1182 lm
Efficacy	84 - 118 lm/W
Driver option	Integral control gear
Driver	Constant current (CC)
Input voltage	220-240 V 50/60 Hz
Optic	M, W, EW, T1, T2, T3, T4, ME, SCL

Optic value	31°, 56°, 97°x103°, 144°x70°, 130°x44°, 125°x77°, 98°x69°, 127°x61°, 133°x57°
CCT / CRI	2700K CRI80, 3000K CRI80, 4000K CRI80
Bug	B0-U0-G0, B1-U0-G0
ULR	<1%
ULOR	<1%
CIE flux code n°3	100, 97, 98, 99
Dimming type	On/Off, 1-10V, DALI
Product colours	Black, Dark Grey, White, Matt Silver, Bronze, Concrete - Urban, Softscape - Urban, Stone - Urban, Corten - Urban, Oak - Woodland, Walnut - Woodland, Pine - Woodland
Weight	2.6 kg

Operating temperature	-20 °C to 40 °C
Through wiring	Single cable entry
Lens / Reflector / Optic	Clear toughened glass
MacAdam Ellipse	3 SDCM
Lifetime L90B10 (hours)	> 90,000
Lifetime L80B10 (hours)	> 90,000
Lifetime L80B50 (hours)	> 90,000

Variants (On/Off, 1-10V, DALI)
Compatible with EN/ IEC 60598-2-22: Suitable for emergency installations as central supply, non-maintained (ZO)

MV-30013



MARVIK 2 (MV-30013)**Accessory**



Surface mounting box for easy
cabling (MARVIK 2)
SCE-MARVIK-2



DALI Control System
Control-DALI
